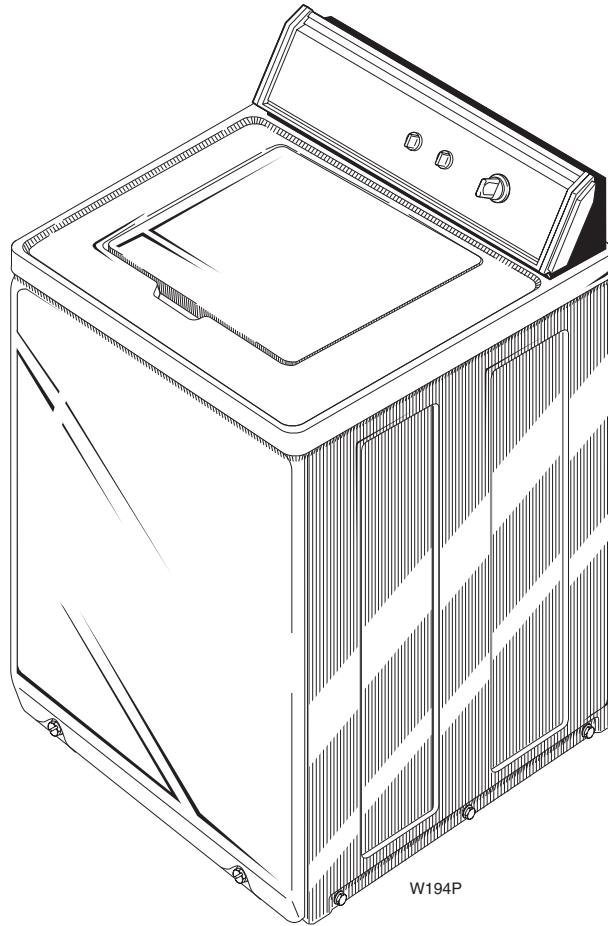


# Automatic Washers AWM 1

## Parts

Refer to Page 3 for Model Numbers

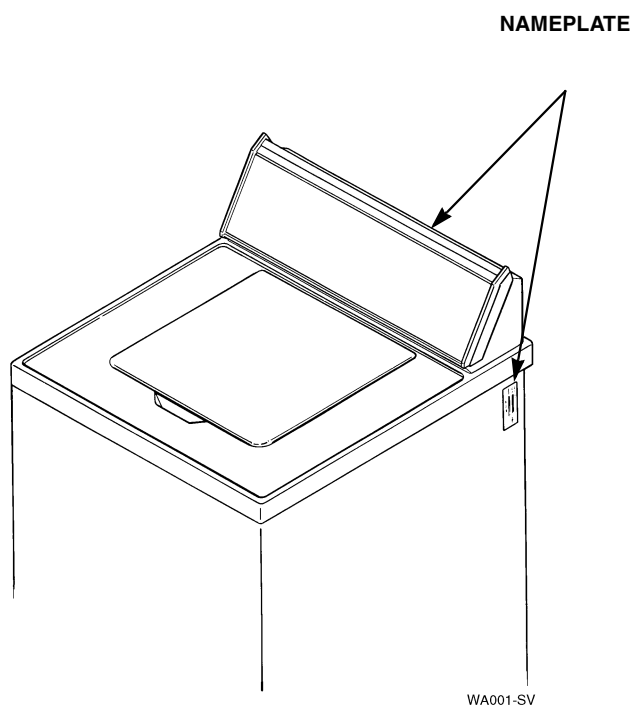


## Parts Ordering Information

If literature or replacement parts are required, contact the source from which the machine was purchased or contact Alliance Laundry Systems for the name and address of the nearest authorized parts distributor.

## Nameplate Location

When calling or writing about your product, be sure to mention model and serial numbers. Model and serial numbers are located on nameplate as shown.



## Model Identification

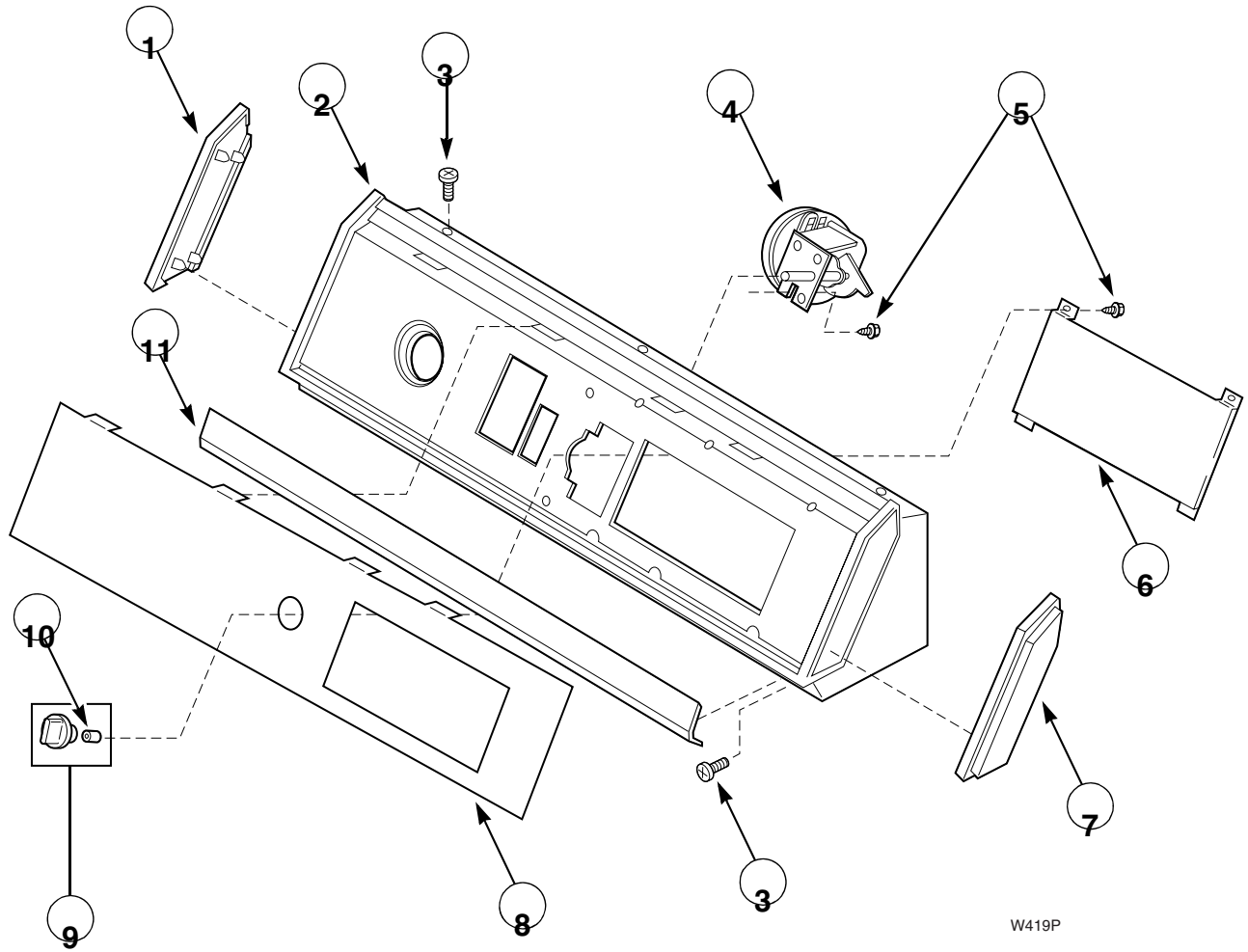
Information in this manual is applicable to these washer models:

AA3410	AWE852	AWM351-1000	AWM352-1000	AWM551
AA4410	AWE931	AWM351-2200	AWM352-2200	AWM551-2200
AA4411	AWE951	AWM351-3000	AWM352-3000	AWM551-3062
AA5420	AWM230	AWM351-3050	AWM352-3062	AWM631
AA5421	AWM250	AWM351-3059	AWM352-3300	AWM651
AA6421	AWM331	AWM351-3062	AWM432	NA3812
AA8431	AWM332	AWM351-3300	AWM452	NA4821
AA9431	AWM351	AWM352	AWM531	NA6821
				NA8831

**AWM1**

# Graphic Panel, Control Hood and Controls (Drawing 1 of 4)

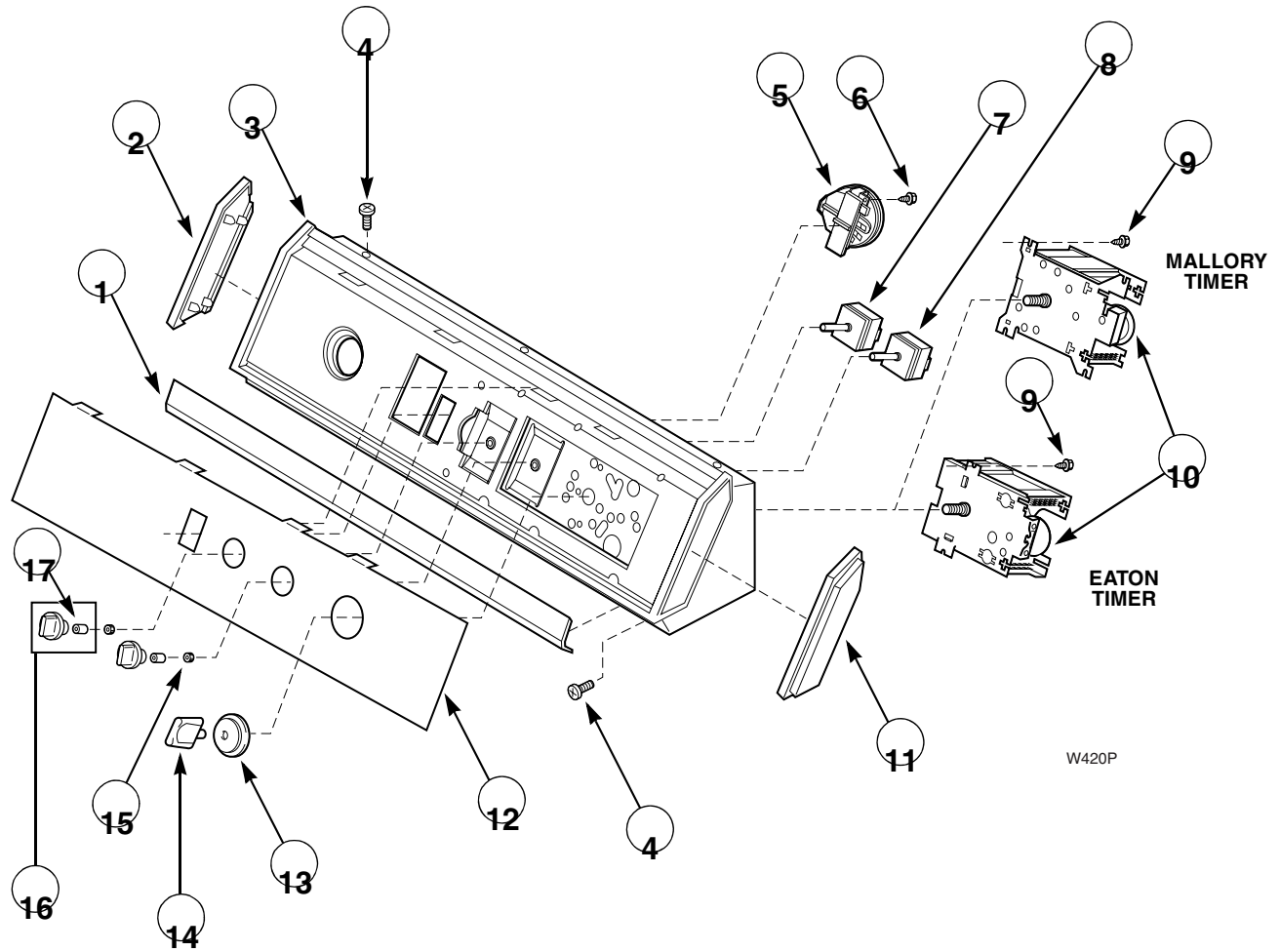
Models AA8431, AA9431, AWE852, AWE931, AWE951 and NA8831



W419P

# Graphic Panel, Control Hood and Controls (Drawing 2 of 4)

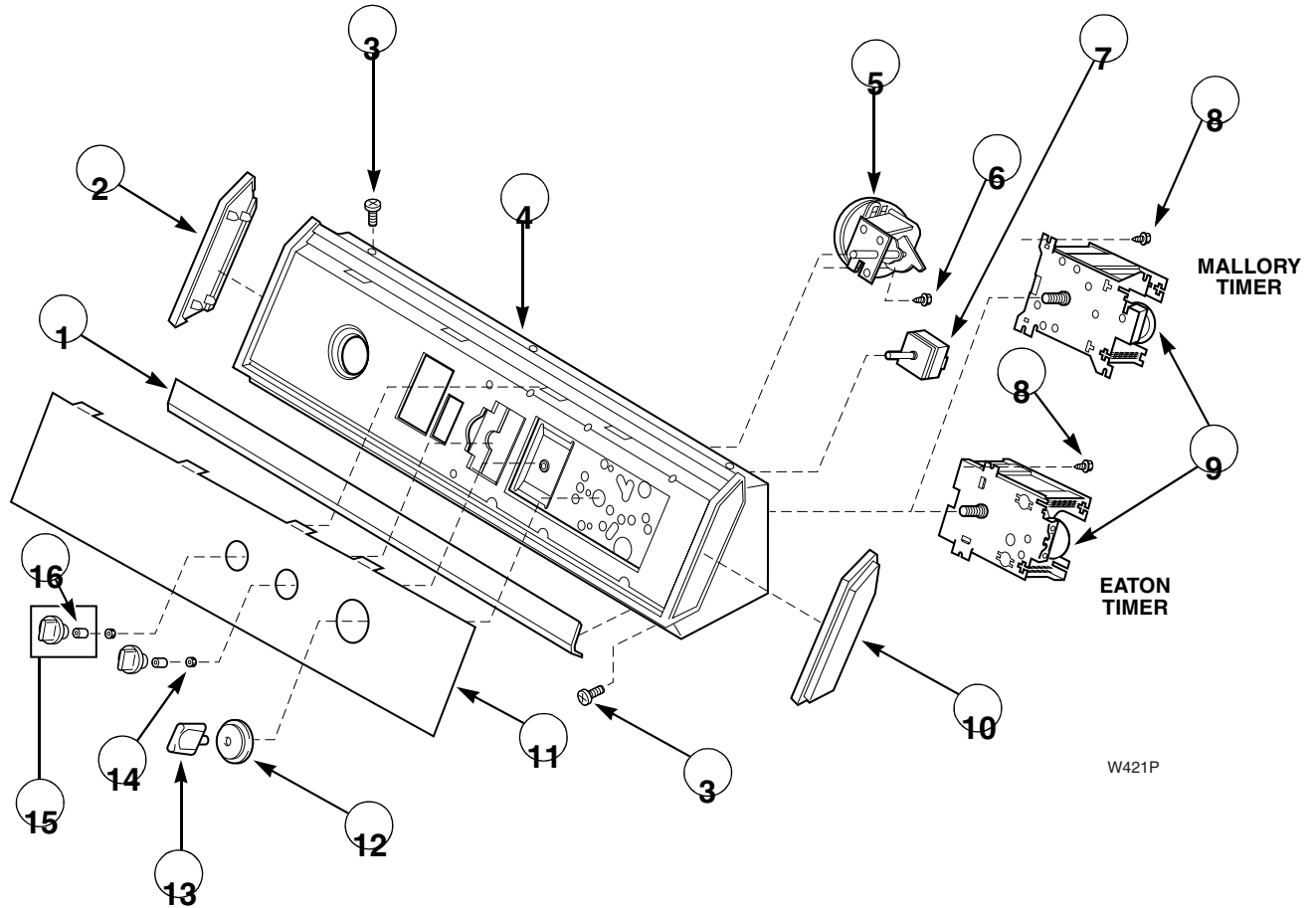
Models AA6421, AWM631, AWM651 and NA6821



AWM1 P2

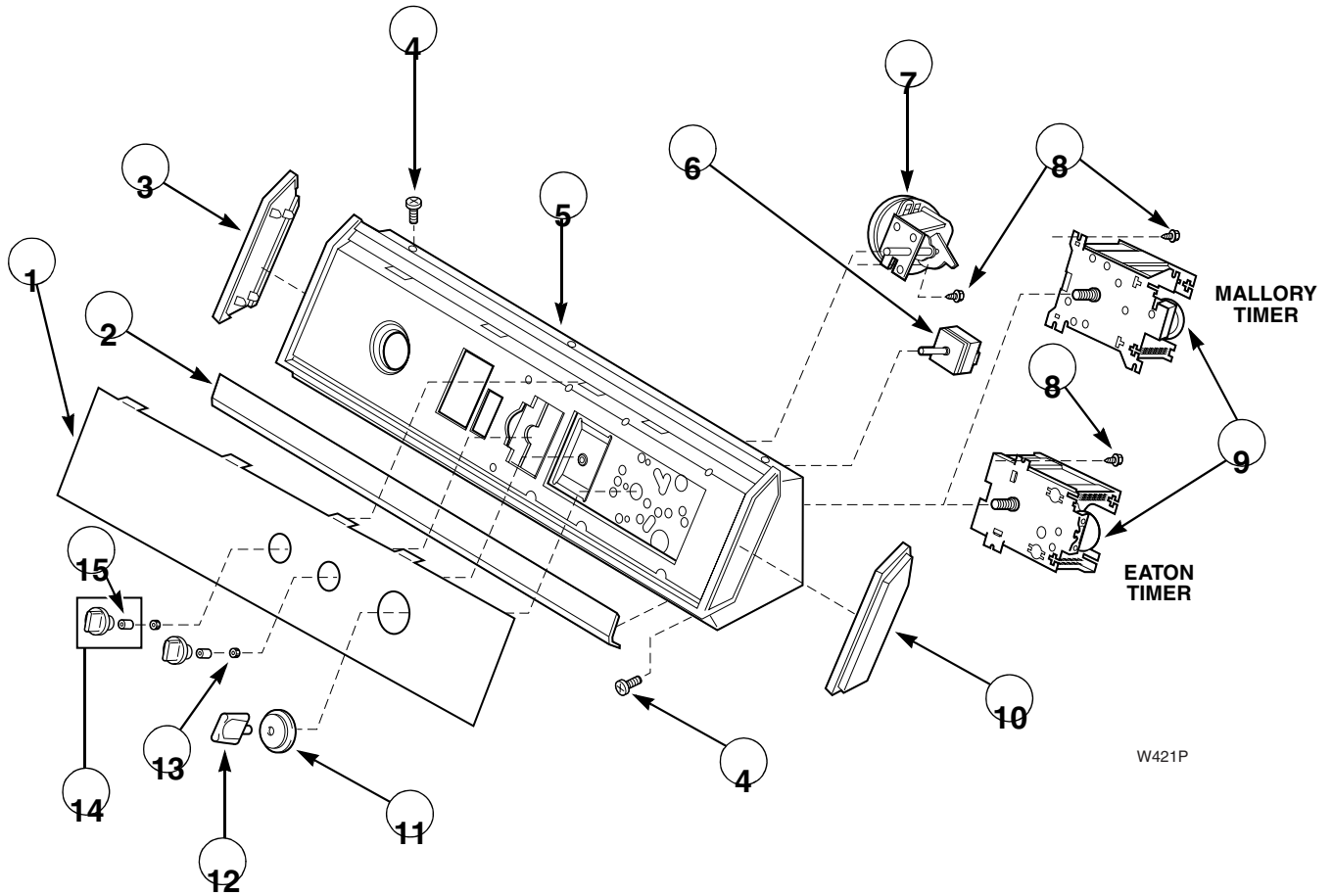
# Graphic Panel, Control Hood and Controls (Drawing 3 of 4)

Models AA5420, AA5421, AWM531, AWM551, AWM551-2200, AWM551-3062 and NA4821



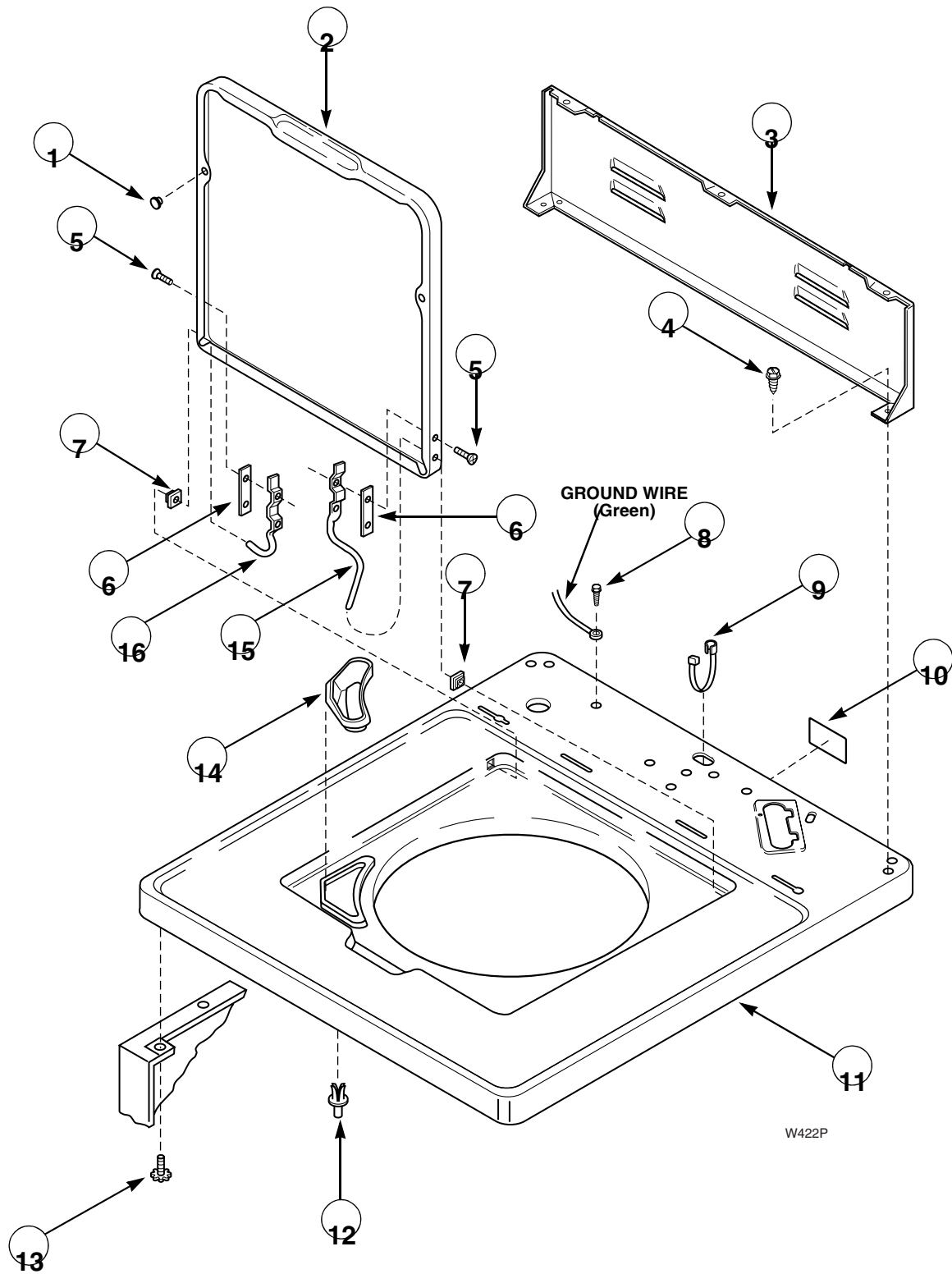
# Graphic Panel, Control Hood and Controls (Drawing 4 of 4)

Models AA3410, AA4410, AA4411, AWM230, AWM250, AWM331, AWM332, AWM351, AWM351-1000, AWM351-2200, AWM351-3000, AWM351-3050, AWM351-3059, AWM351-3062, AWM351-3300, AWM352, AWM352-1000, AWM352-2200, AWM352-3000, AWM352-3062, AWM352-3300, AWM432, AWM452 and NA3812



W421P

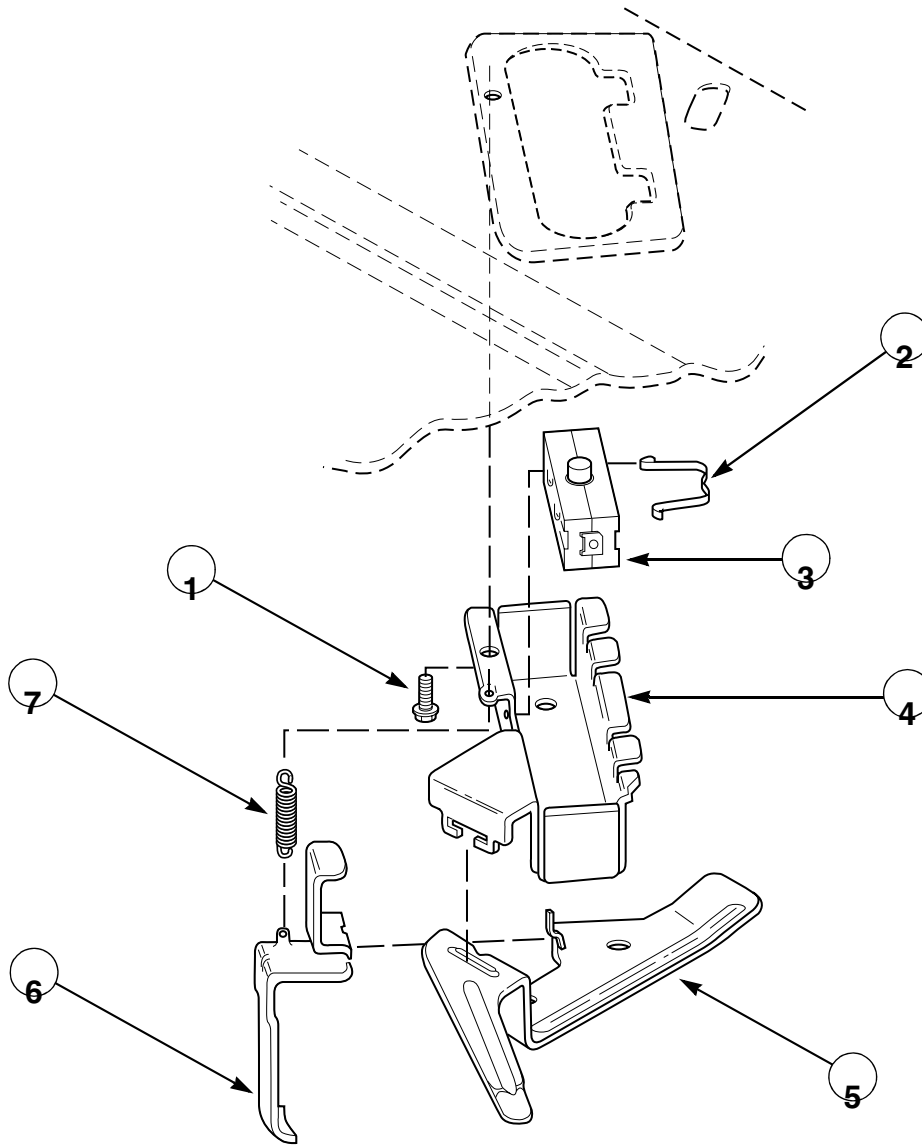
# Top, Lid and Hood Back Panel



AWM1 P5



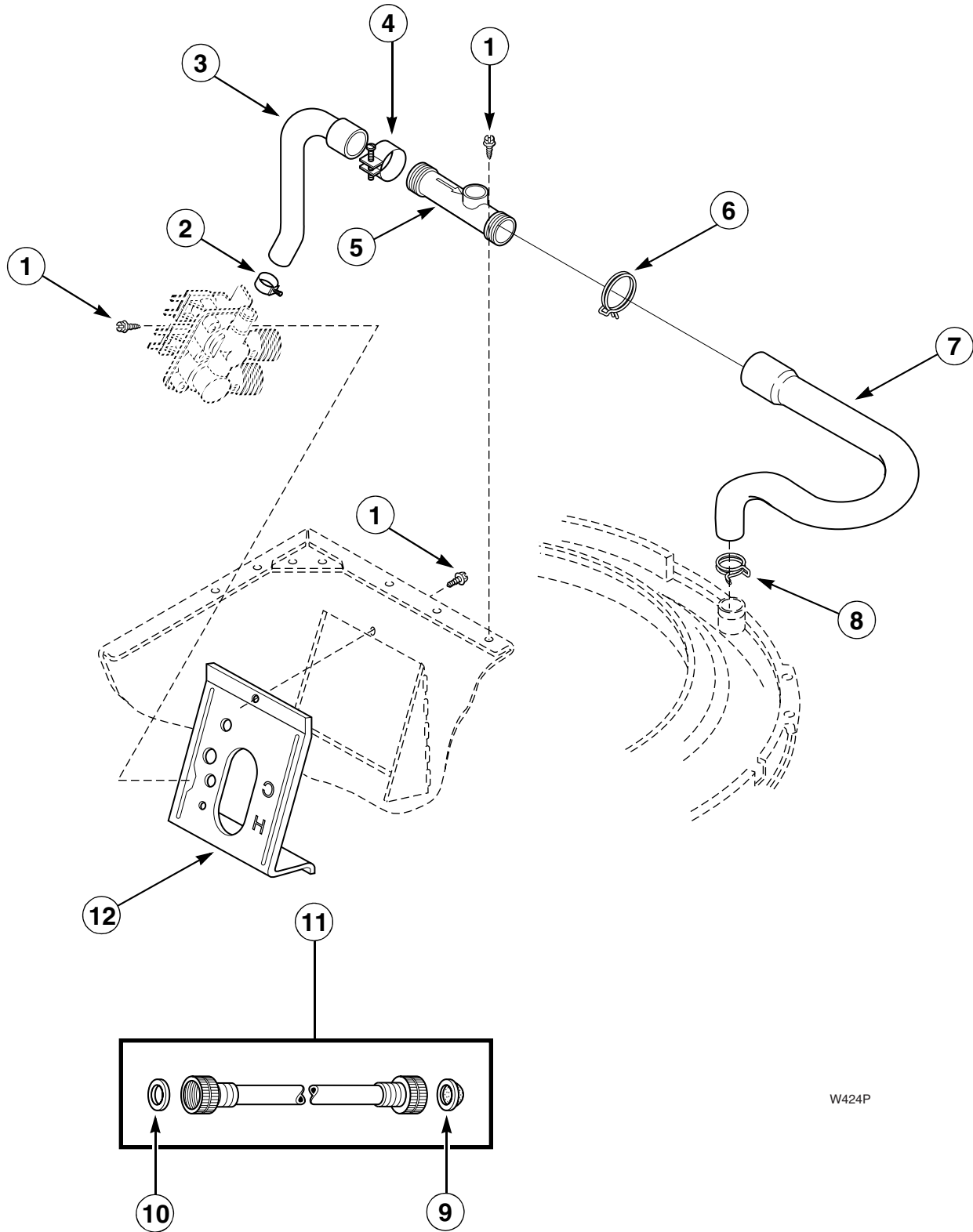
# Door and Out-Of-Balance Switch



W423P

AWM1 P6

# Water Inlet Hose, Fill Hose, Back Flow Preventer and Mixing Valve Mounting Bracket

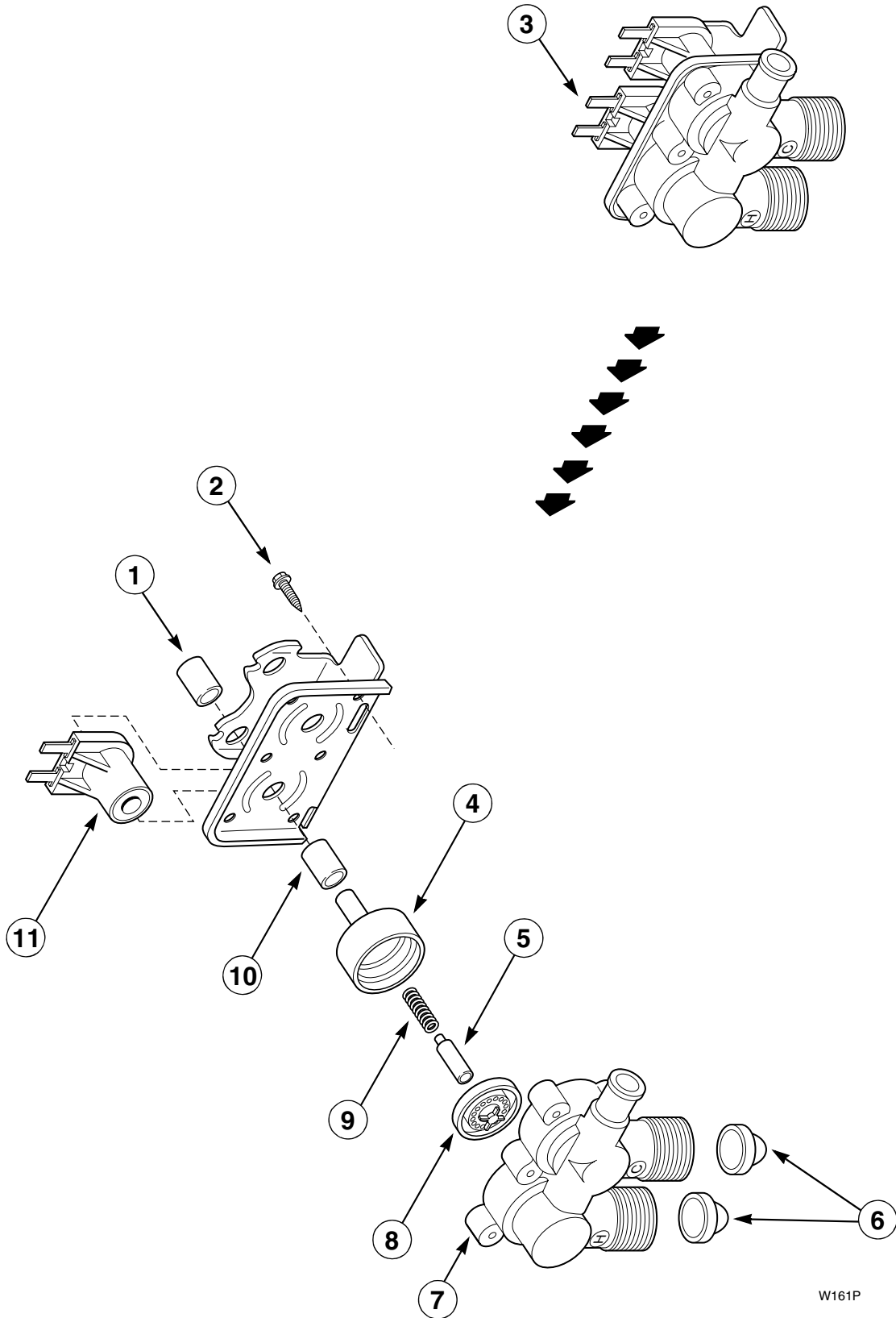


W424P

AWM1 P7

# Mixing Valve Assembly

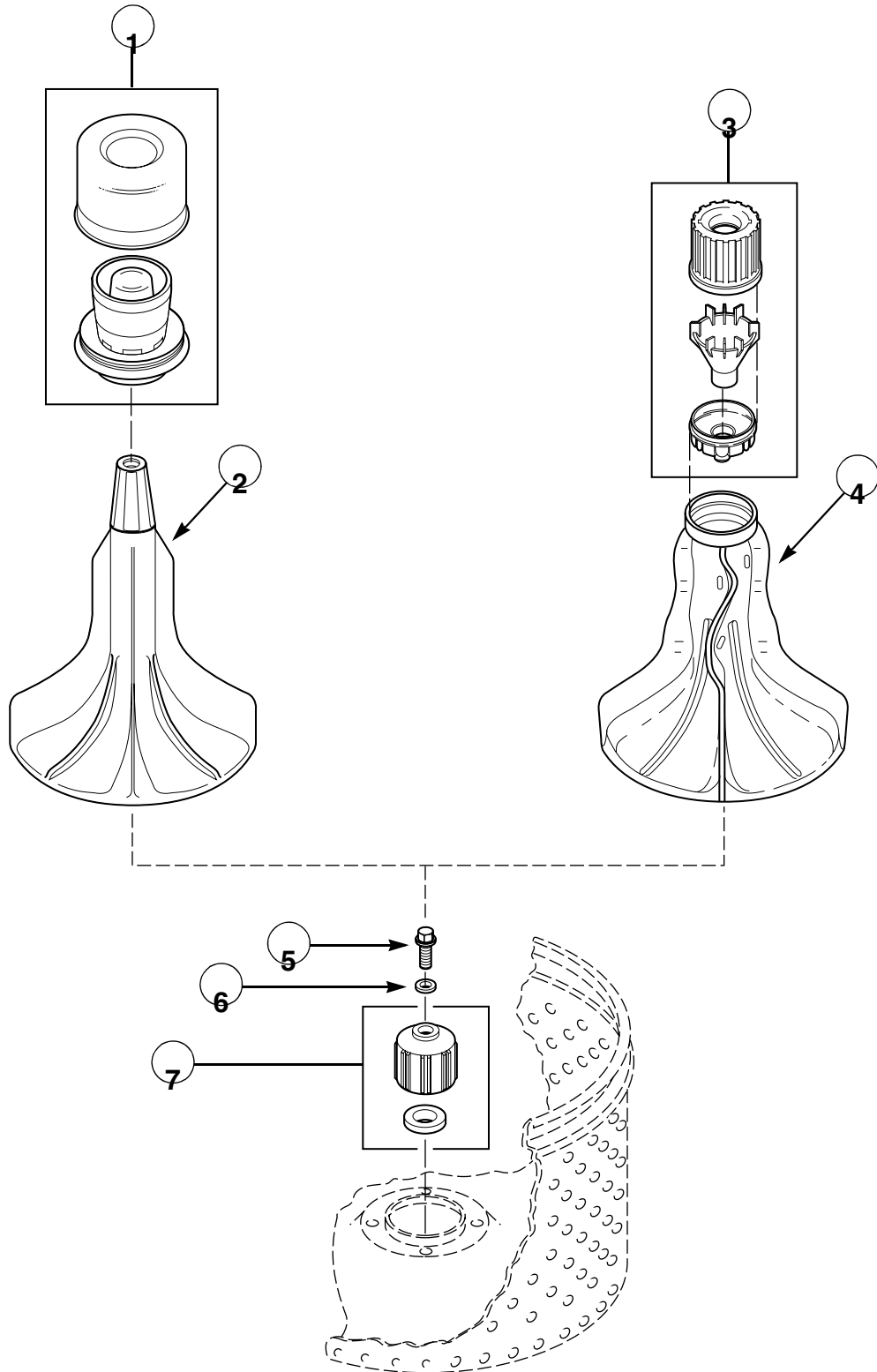
Eaton Company



W161P

AWM1 P8

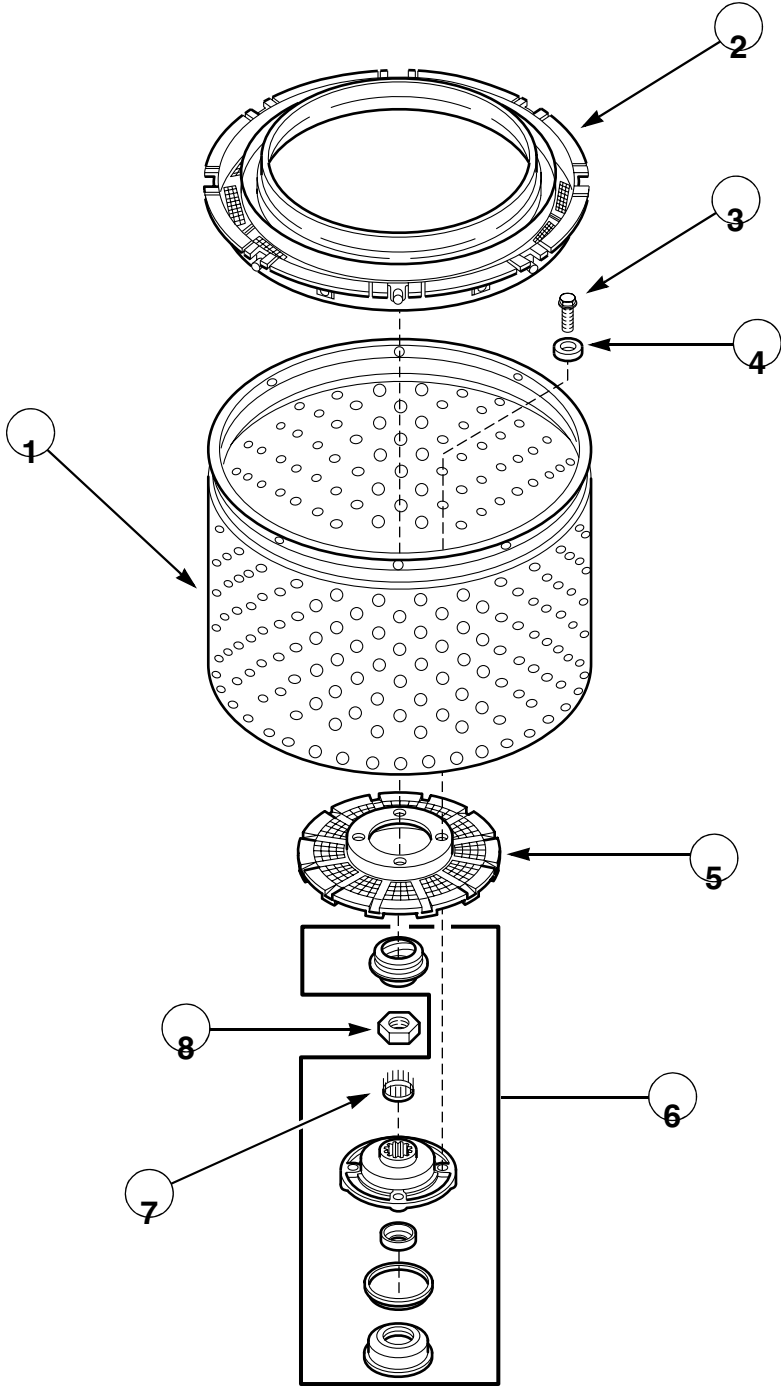
# Agitator, Drive Bell and Seal Seat



W425P

AWM1 P9

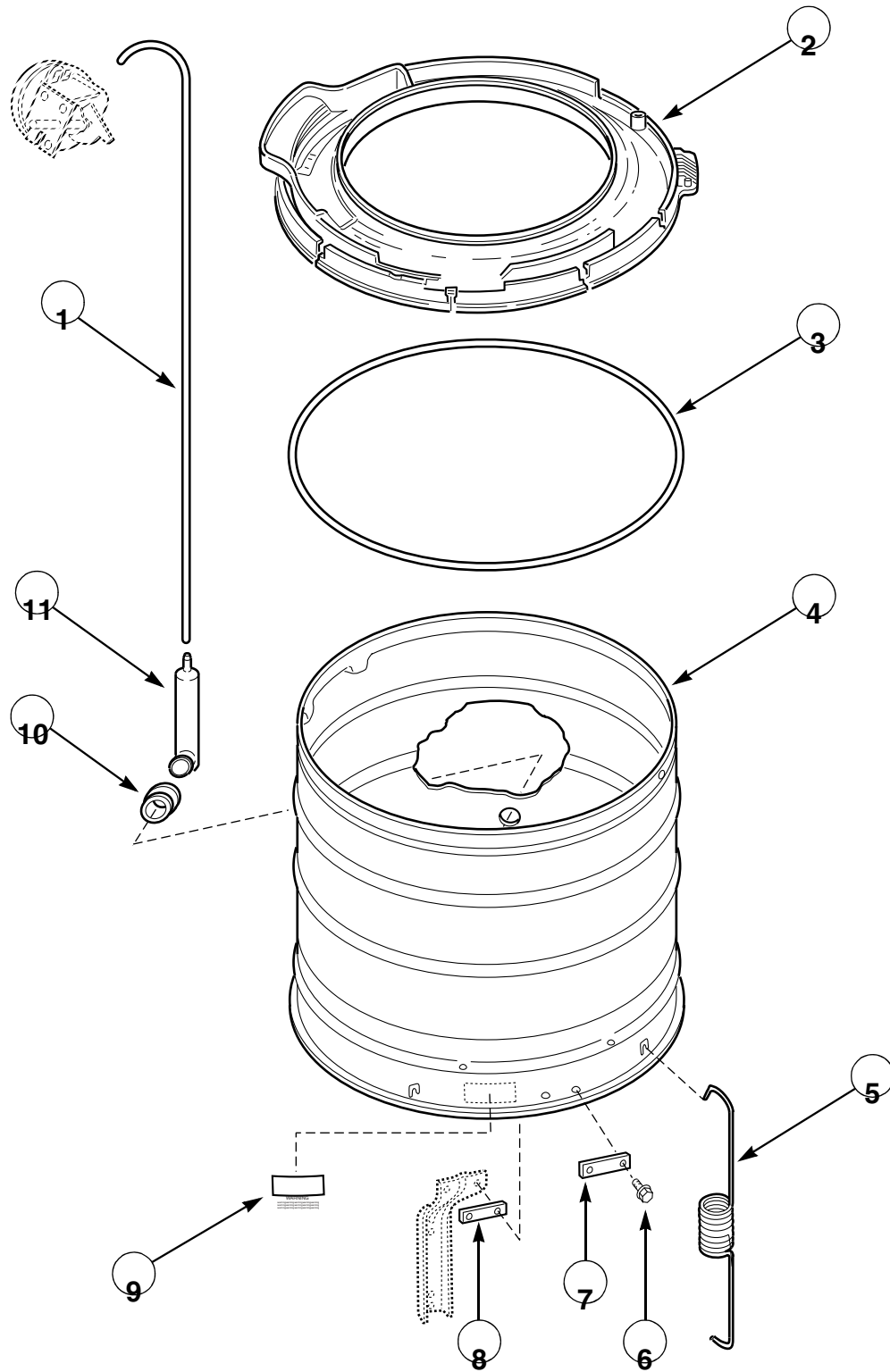
# Clothes Guard, Washtub, Lint Filter and Hub



W153P

AWM1 P10

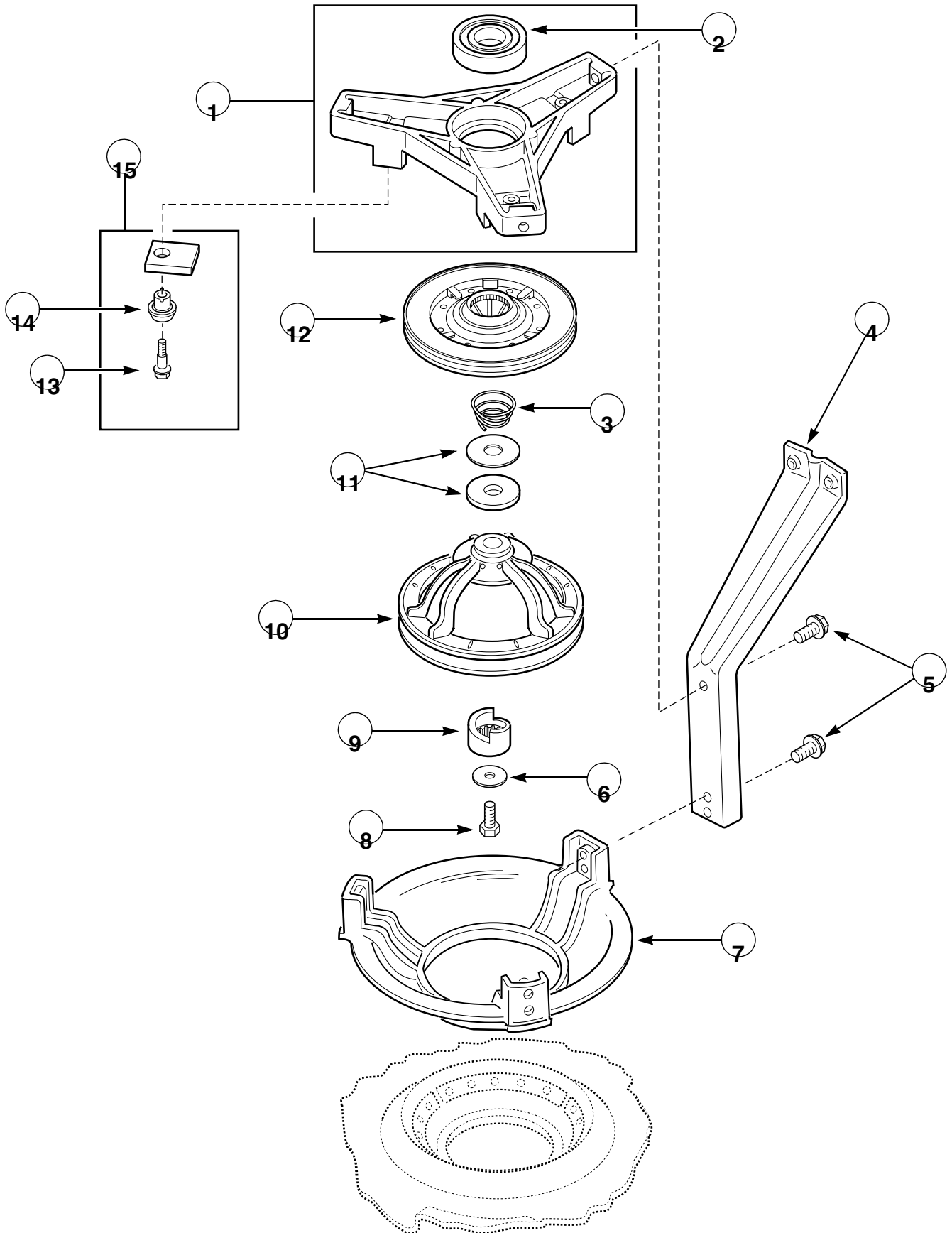
# Outer Tub, Cover and Pressure Hose



W426P

AWM1 P11

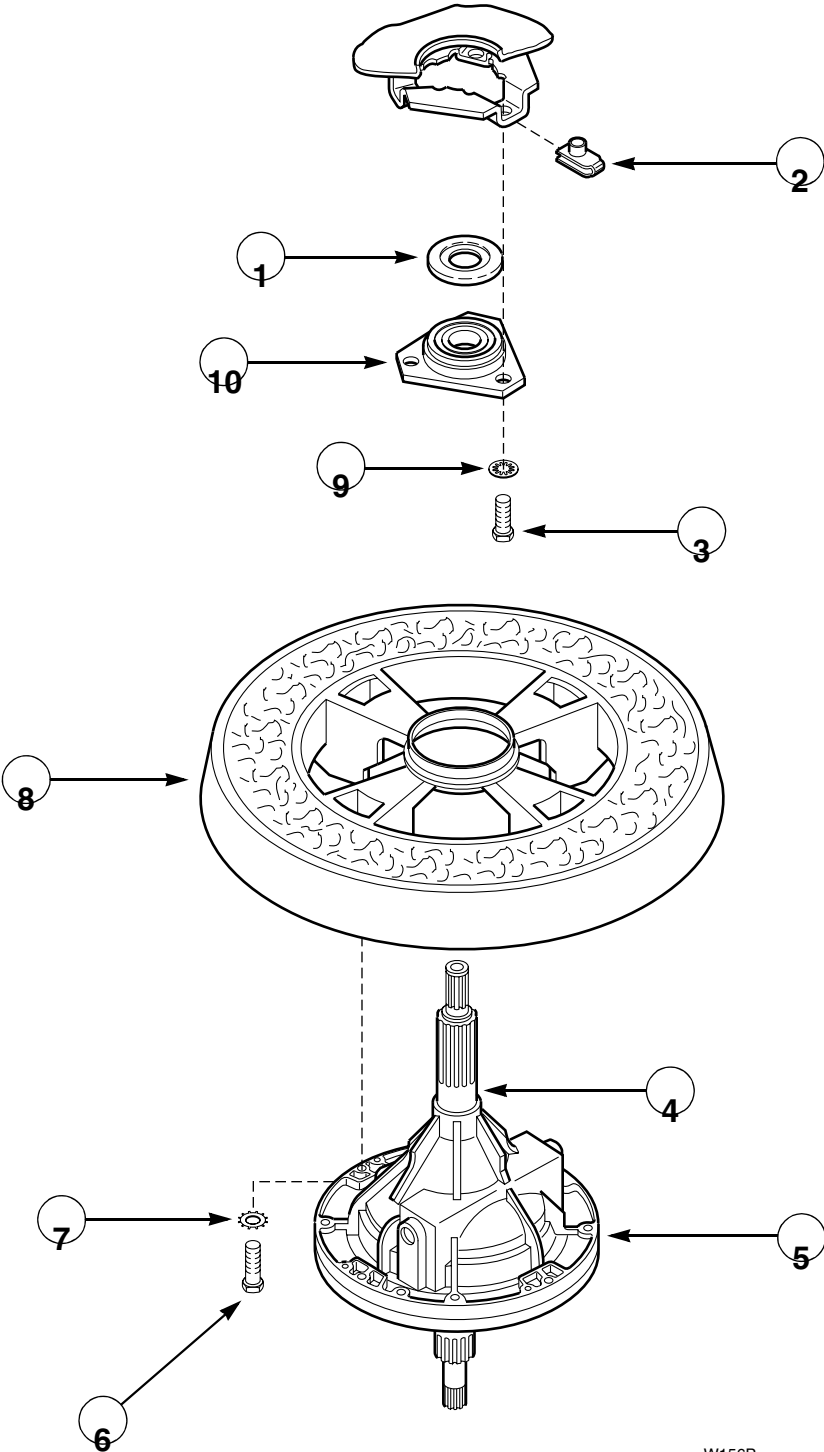
# Bearing Housing, Brake, Pulley and Pivot Dome



W427P

AWM1 P12

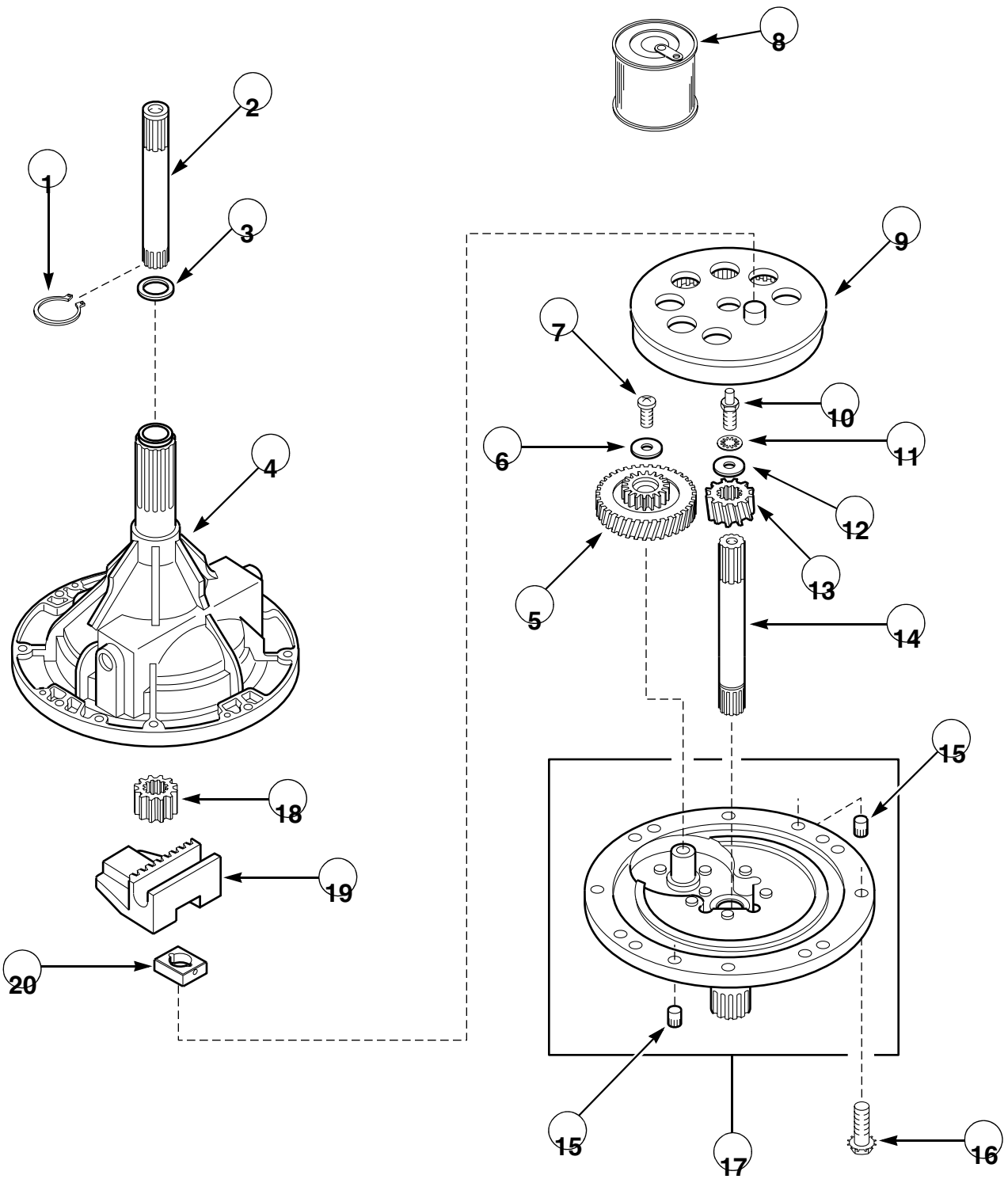
# Transmission Assembly and Balance Ring



W156P



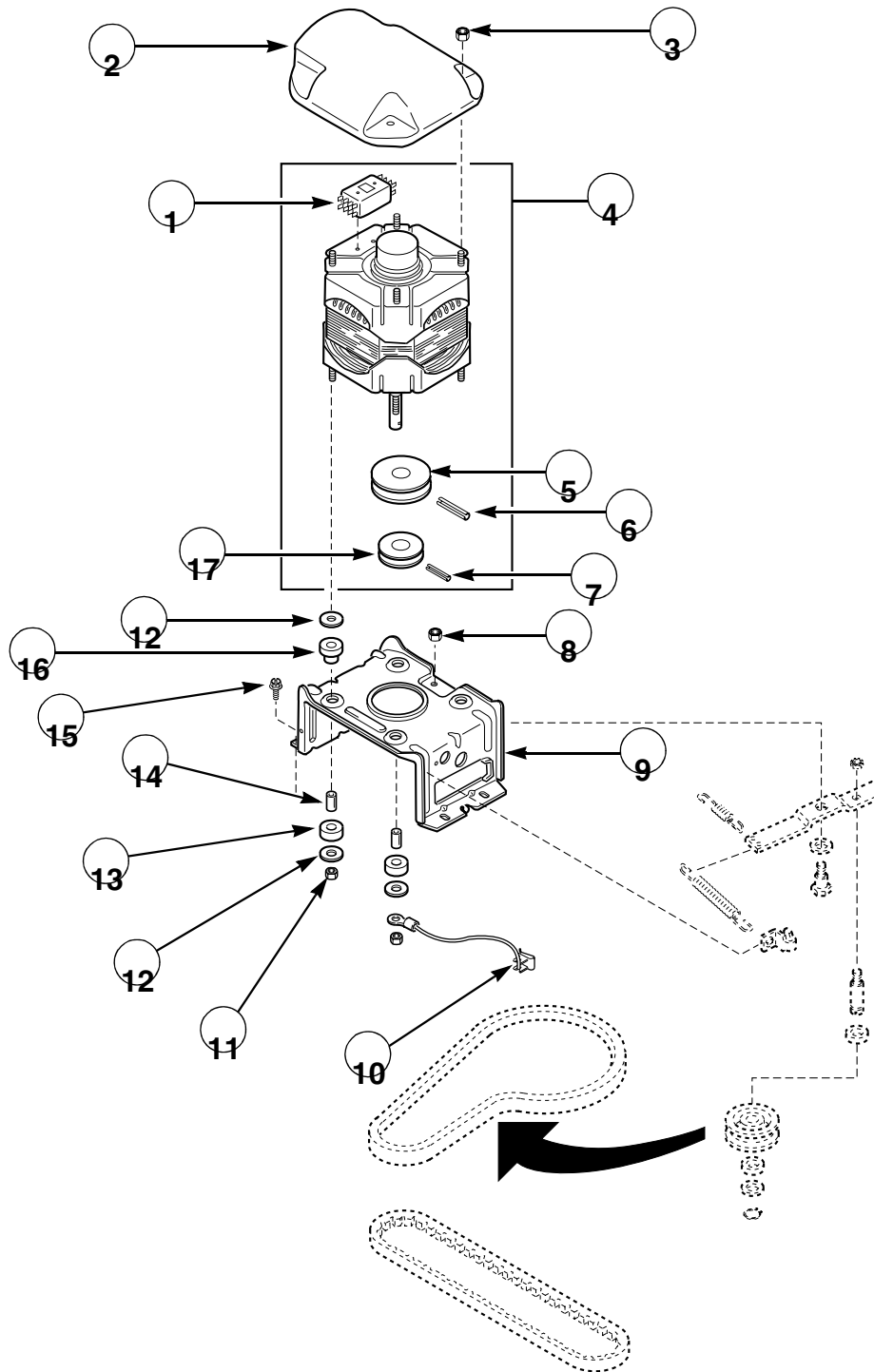
# Components for 33227P Transmission Assembly



W157P

AWM1 P14

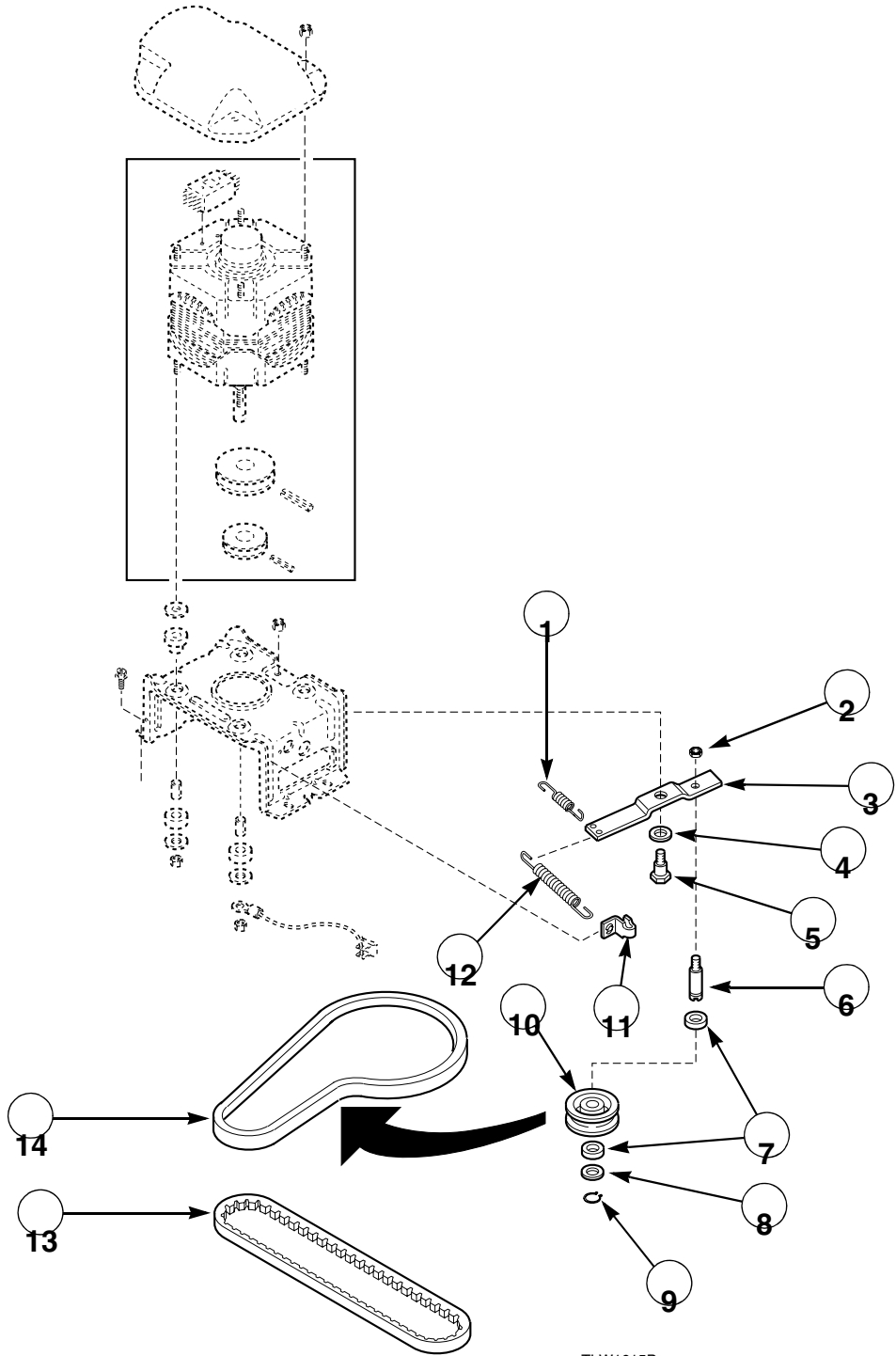
# Motor and Mounting Bracket



TLW1614P

AWM1 P15

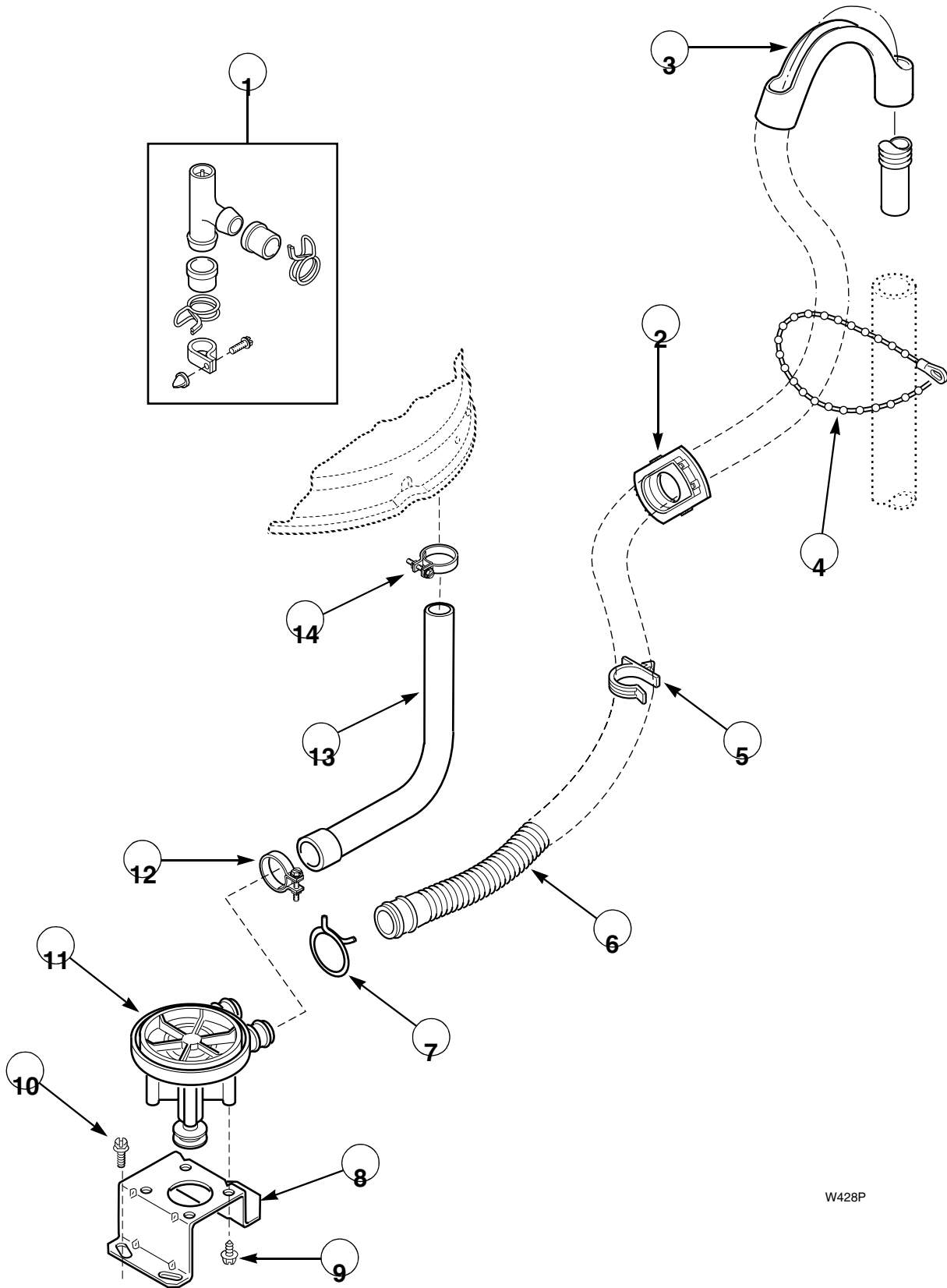
# Belts and Idler Assembly



TLW1615P

AWM1 P16

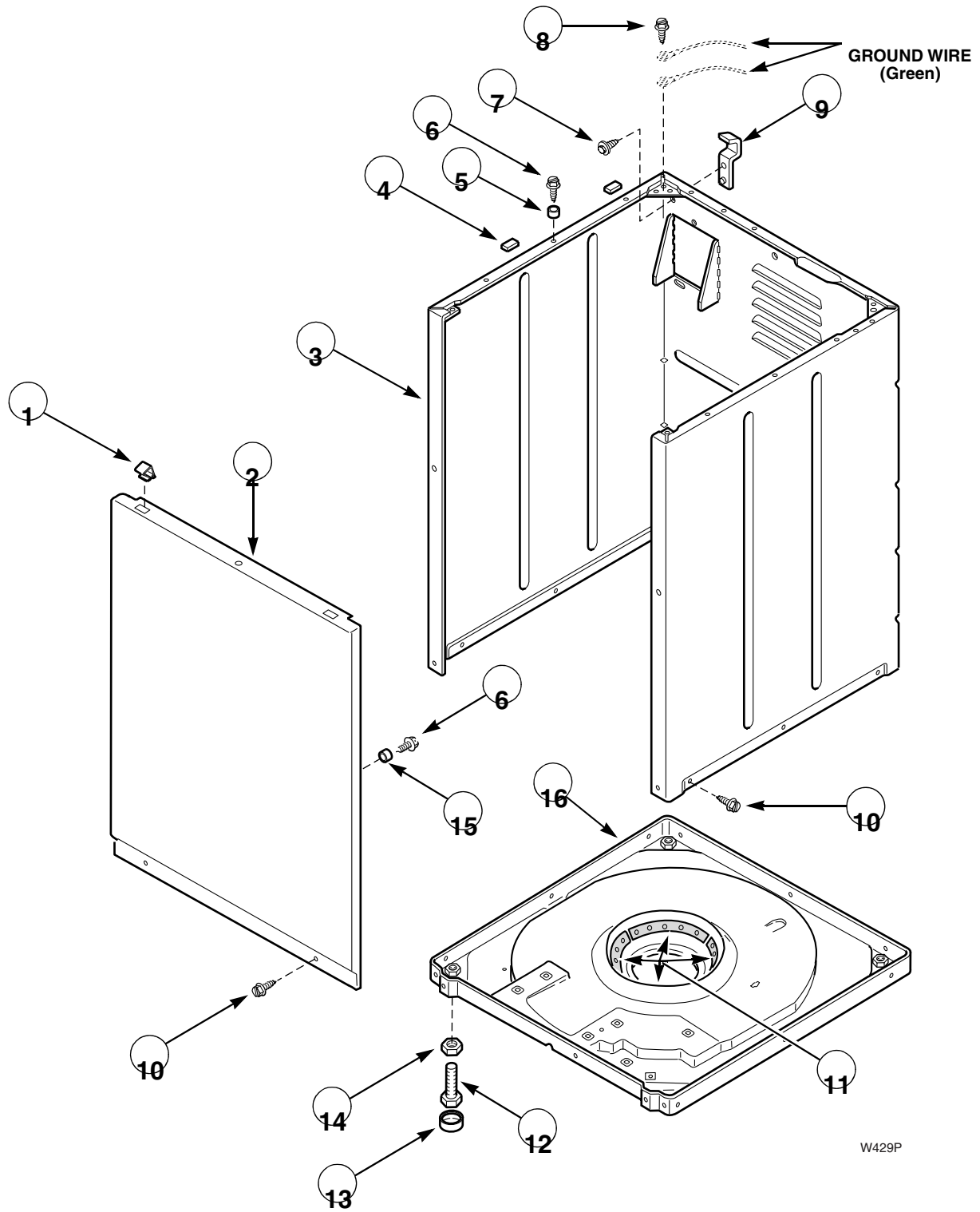
# Pump Assembly, Bracket, Hoses and Siphon Break Kit



W428P

AWM1 P17

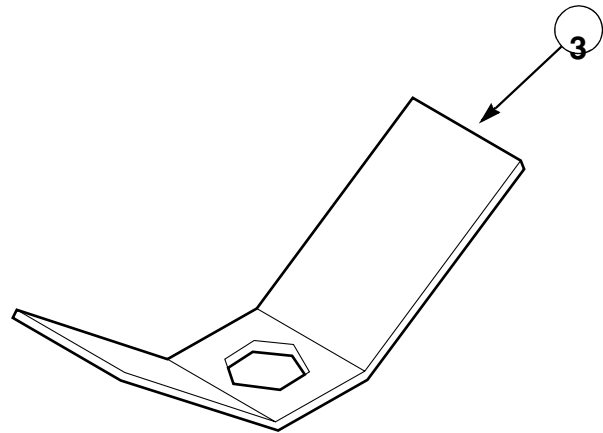
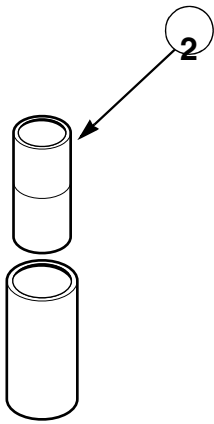
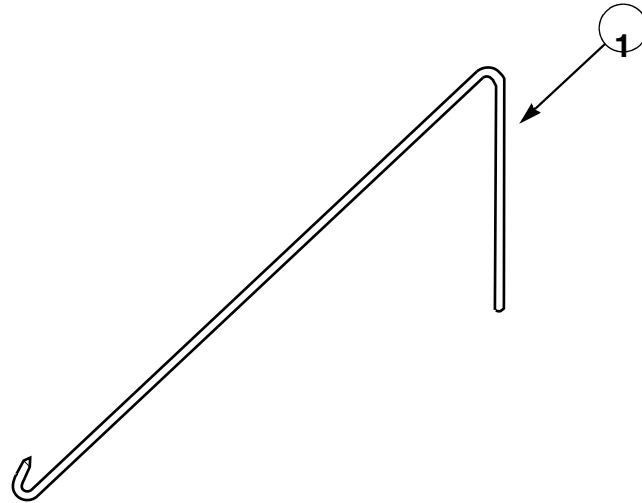
# Front Panel, Cabinet and Base



W429P

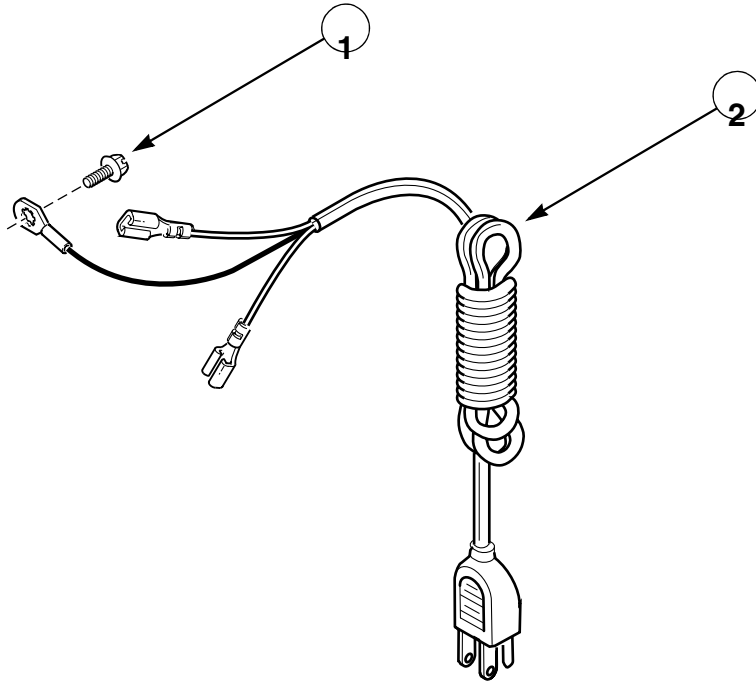
AWM1 P18

# Special Tools (Drawing 1 of 2)



W417P

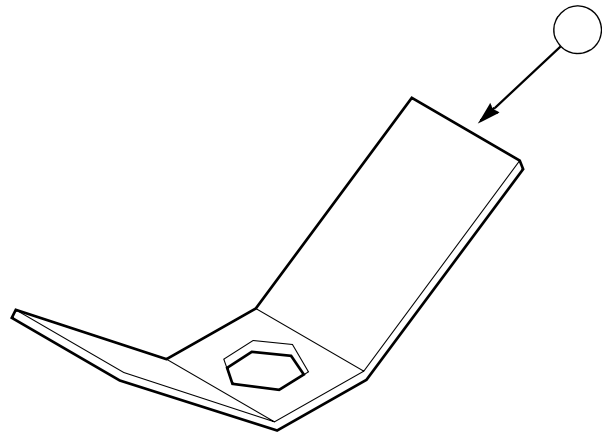
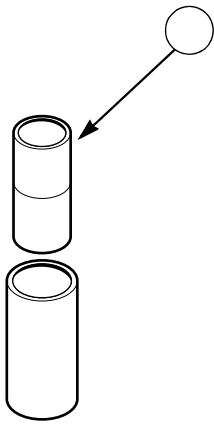
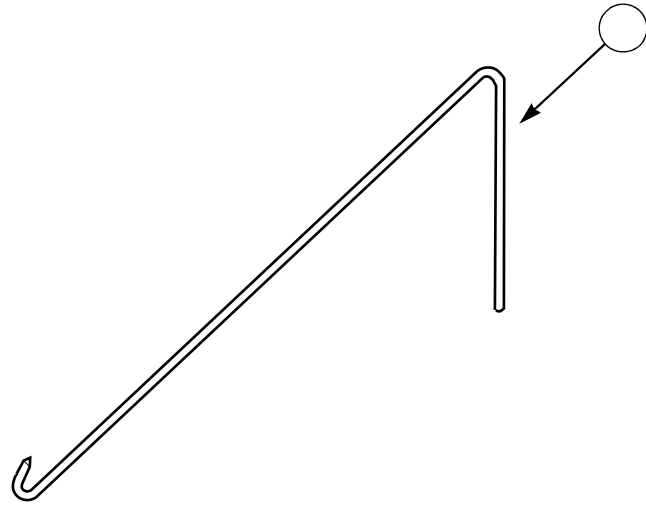
## Wire Harnesses and Lead-In Cord



W431P

AWM1 P20

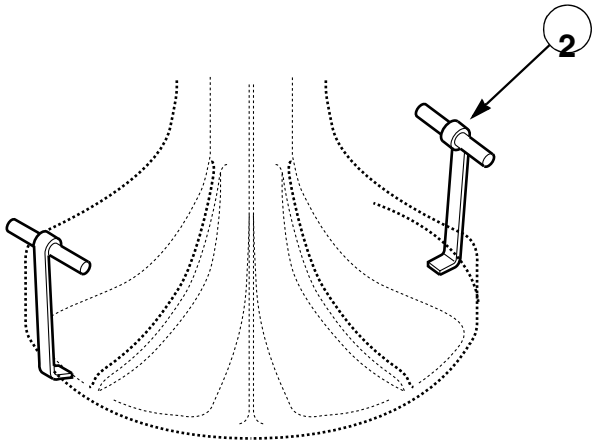
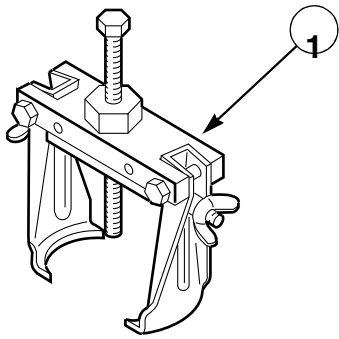
00638



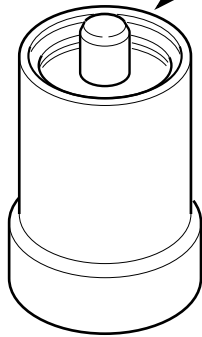
AWM1 P21



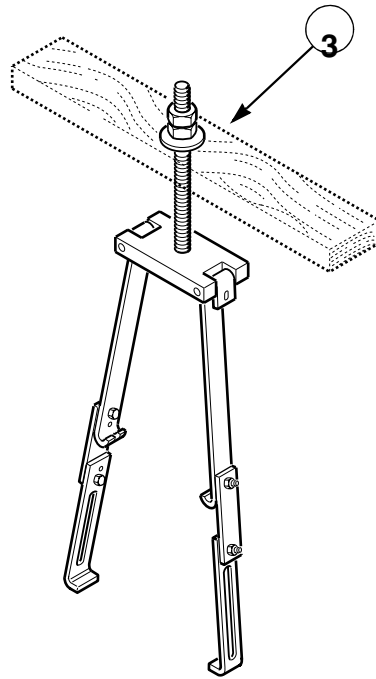
# Special Tools (Drawing 2 of 2)



USE THIS END TO INSTALL  
SEAL SEAT INTO THE  
DRIVE BELL



USE THIS END TO INSTALL  
SEAL HEAD ONTO THE  
HUB ASSEMBLY



W418P