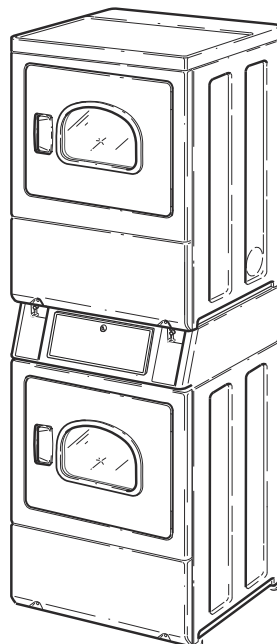


Commercial Dryers **SSG3**

Metered and Nonmetered
Refer to Page 3 for Model Numbers



DRY727C_515155

Parts Ordering Information

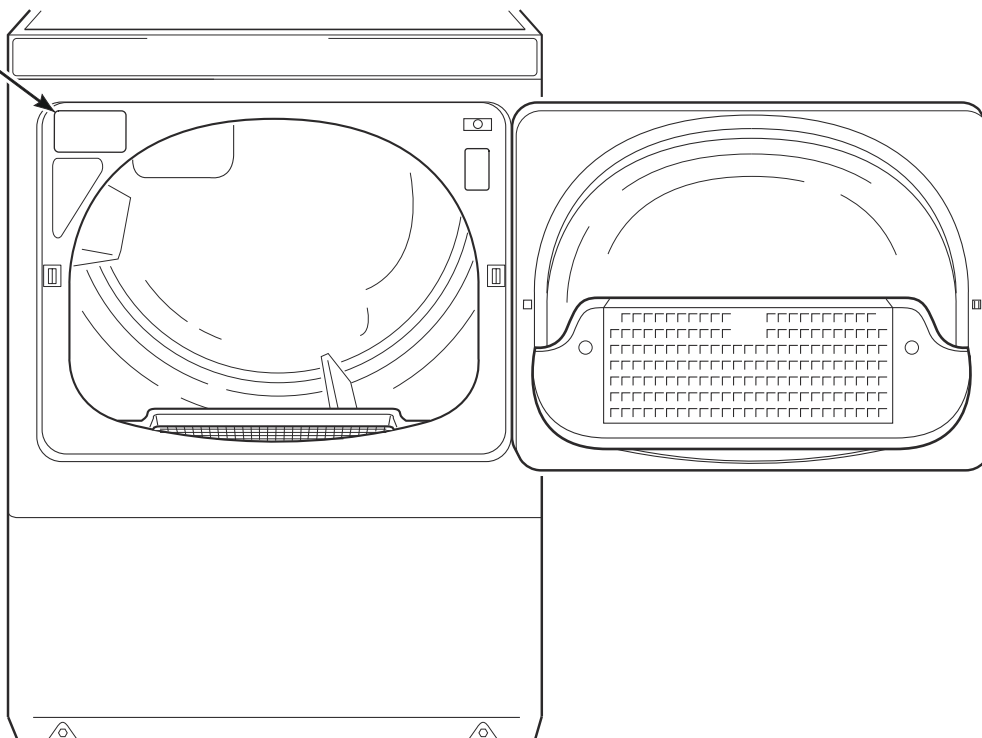
If literature or replacement parts are required, contact the source from whom the machine was purchased or contact Alliance Laundry Systems at [redacted] for the name and address of the nearest authorized parts distributor.

For technical assistance, call either of the numbers listed below:

Serial Plate Location

When calling or writing about your product, be sure to mention model and serial numbers. Model and serial numbers are located on serial plate(s) as shown.

Serial Plate



DRY2283P_515155

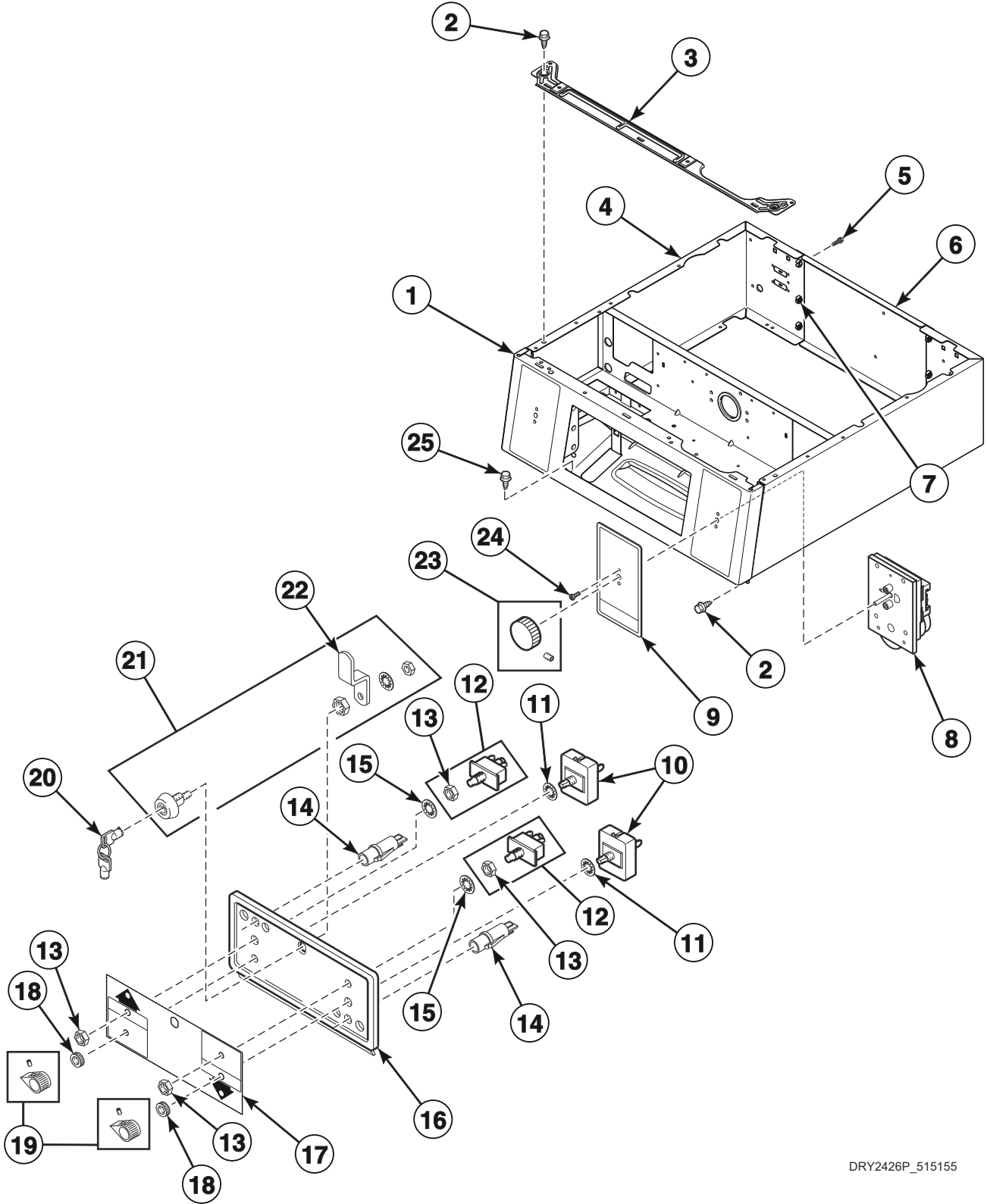
Model Identification

Information in this manual is applicable to these dryer models:

BSGBXAGW303AW01	SSEBXAGS301UQ01
HSEBDAGW291CW01	SSEBXAGS301UW01
HSEBEAGW291CW01	SSEBXAGW131DW01
HSEBXAGW131DW01	SSEBXAGW541DW01
HSEBXAGW171FW28	SSEMNAGS301NW01
HSEBXAGW541DW01	SSEMNAGS301UW01
HSEBYAGW281CW01	SSEMNAGS431AW01
HSEBYAGW291CW01	SSESXAGS301UW01
HSGBDAGW091CW01	SSESXAGW301NQ01
HSGBEAGW091CW01	SSESXAGW301NW01
HSGBXAGW091CW01	SSESXAGW431AW01
HSGBYAGW091CW01	SSGBXAGS301EW01
HSGSXAGW091CW01	SSGBXAGW301AW01
NSEBXAGW301NW22	SSGSXAGS301EW01
NSESXAGW301NW22	SSGSXAGW301AW01
NSGBXAGW301NW22	SSGSXAGW301BW01
NSGSXAGW301NW22	TSEBXAGW301NW22

Control Panel and Controls - Nonmetered

Models SSEMNAGS301NW01, SSEMNAGS301UW01 and SSEMNAGS431AW01

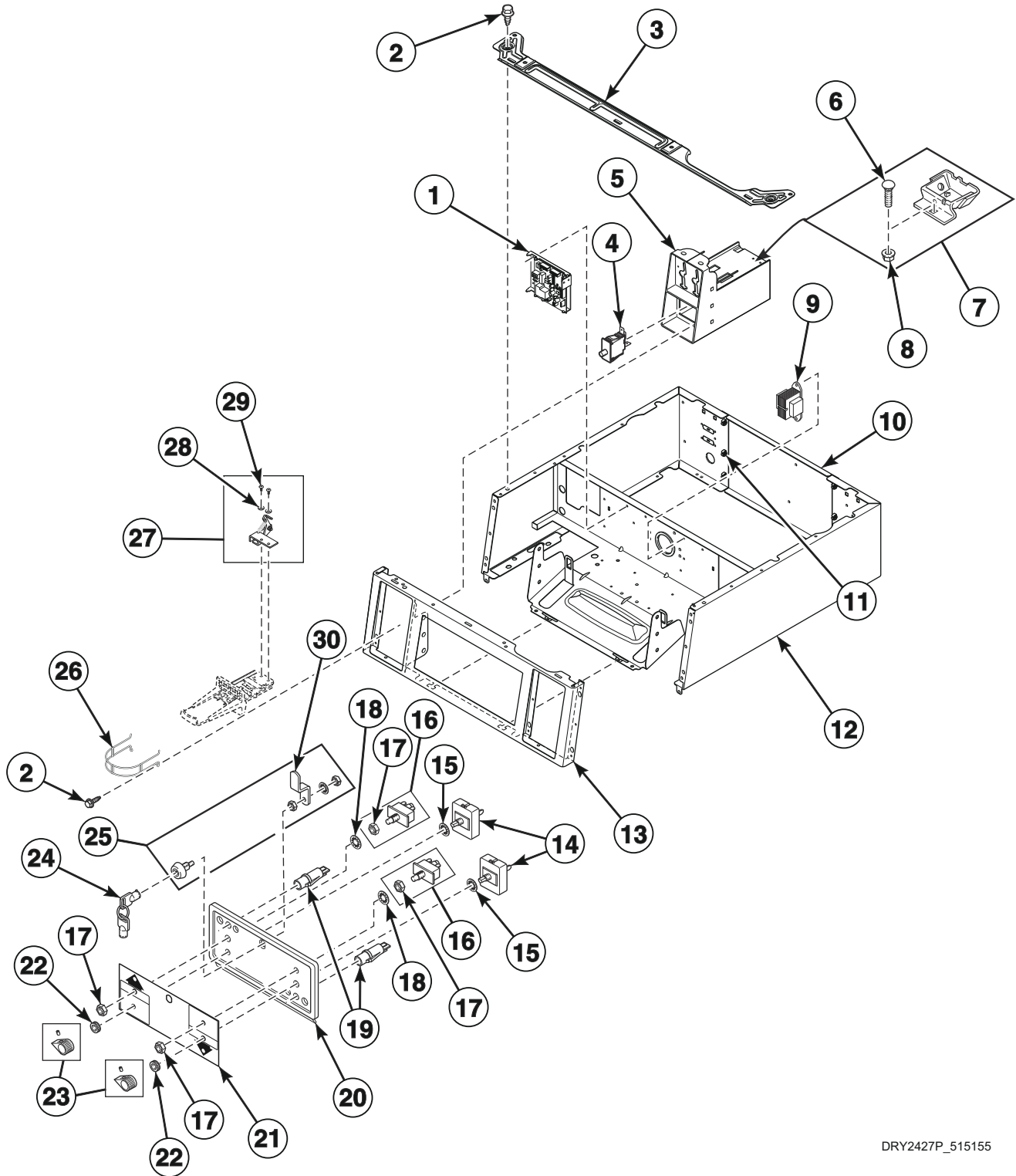


DRY2426P_515155

SSG3 P1

Control and Control Panel - Coin Slide Models

Models HSGSXAGW091CW01, NSESXAGW301NW22, NSGSXAGW301NW22, SSESXAGS301UW01, SSESXAGW301NQ01, SSESXAGW301NW01, SSESXAGW431AW01, SSGSXAGS301EW01, SSGSXAGW301AW01 and SSGSXAGW301BW01

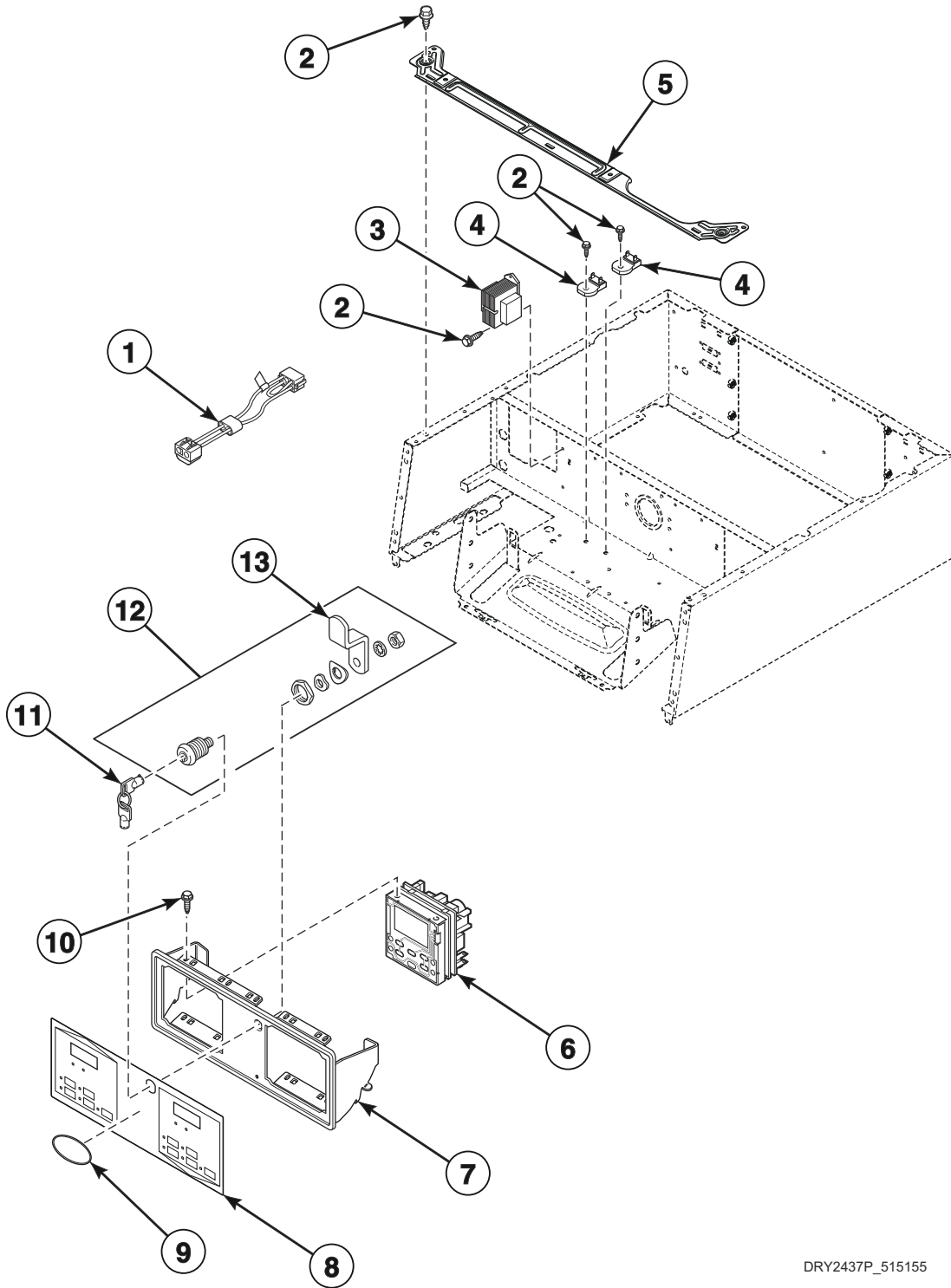


DRY2427P_515155

SSG3 P2

Control Panel and Controls - Coin Drop and Card Models

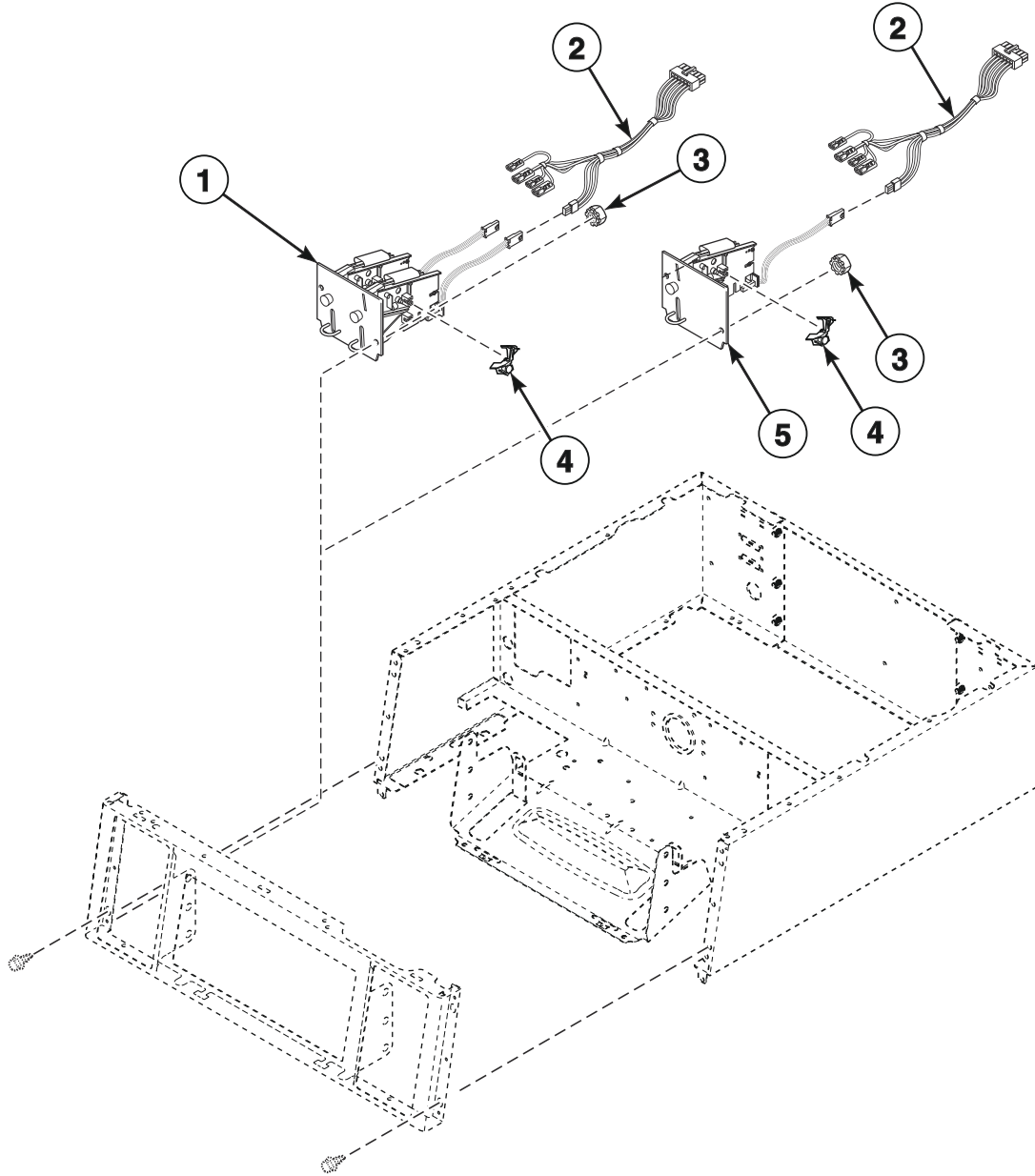
Models BSGBXAGW303AW01, HSEBDAGW291CW01, HSEBEAGW291CW01, HSEBXAGW131DW01, HSEBXAGW171FW28, HSEBXAGW541DW01, HSEBYAGW281CW01, HSEBYAGW291CW01, HSGBDAGW091CW01, HSGBEAGW091CW01, HSGBXAGW091CW01, HSGBYAGW091CW01, NSEBXAGW301NW22, NSGBXAGW301NW22, SSEBXAGS301UQ01, SSEBXAGS301UW01, SSEBXAGW131DW01, SSEBXAGW541DW01, SSGBXAGS301EW01, SSGBXAGW301AW01 and TSEBXAGW301NW22



DRY2437P_515155

Non-Electronic Coin Drop - Coin Drop Models

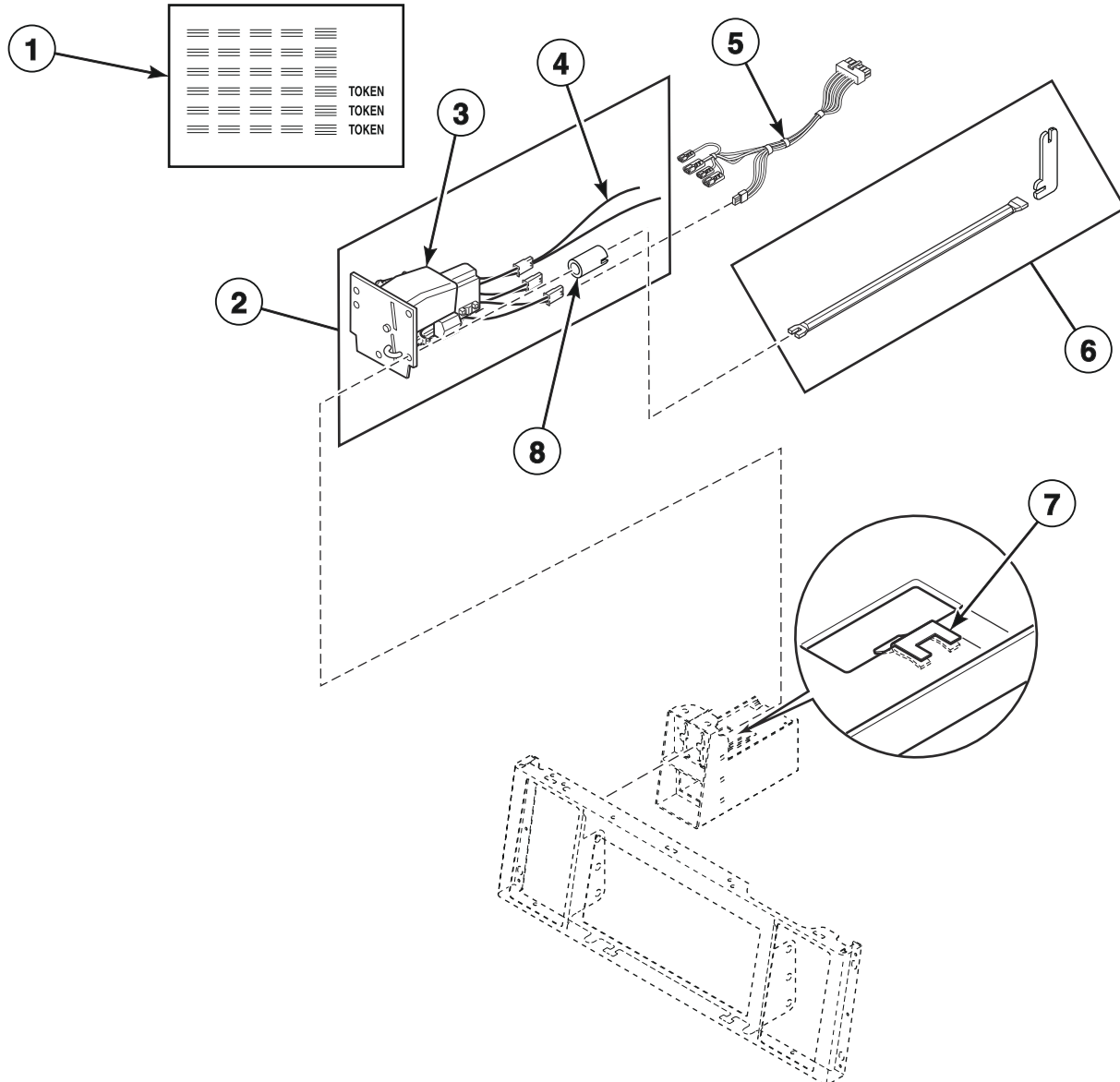
Models BSGBXAGW303AW01, HSEBDAGW291CW01, HSEBEAGW291CW01, HSEBXAGW131DW01, HSEBXAGW171FW28, HSEBXAGW541DW01, HSGBDAGW091CW01, HSGBEAGW091CW01, HSGBXAGW091CW01, NSEBXAGW301NW22, NSGBXAGW301NW22, SSEBXAGS301UQ01, SSEBXAGS301UW01, SSEBXAGW131DW01, SSEBXAGW541DW01, SSGBXAGS301EW01, SSGBXAGW301AW01 and TSEBXAGW301NW22



DRY2438P_515155

Electronic Coin Drop - Coin Drop Models

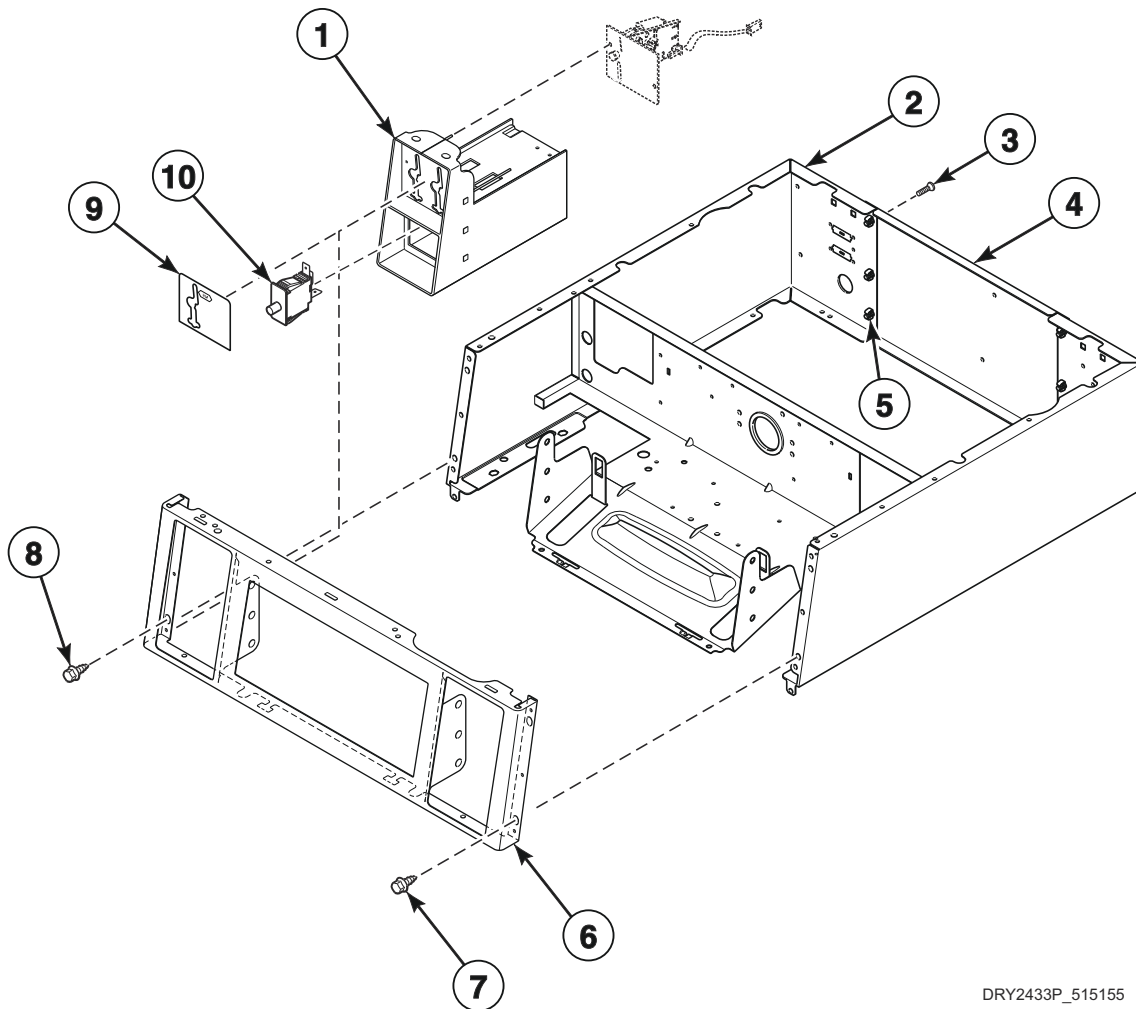
Models BSGBXAGW303AW01, HSEBDAGW291CW01, HSEBEAGW291CW01, HSEBXAGW131DW01, HSEBXAGW171FW28, HSEBXAGW541DW01, HSGBDAGW091CW01, HSGBEAGW091CW01, HSGBXAGW091CW01, NSEBXAGW301NW22, NSGBXAGW301NW22, SSEBXAGS301UQ01, SSEBXAGS301UW01, SSEBXAGW131DW01, SSEBXAGW541DW01, SSGBXAGS301EW01, SSGBXAGW301AW01 and TSEBXAGW301NW22



DRY2435P_515155

Control Cabinet Controls - Coin Drop Models

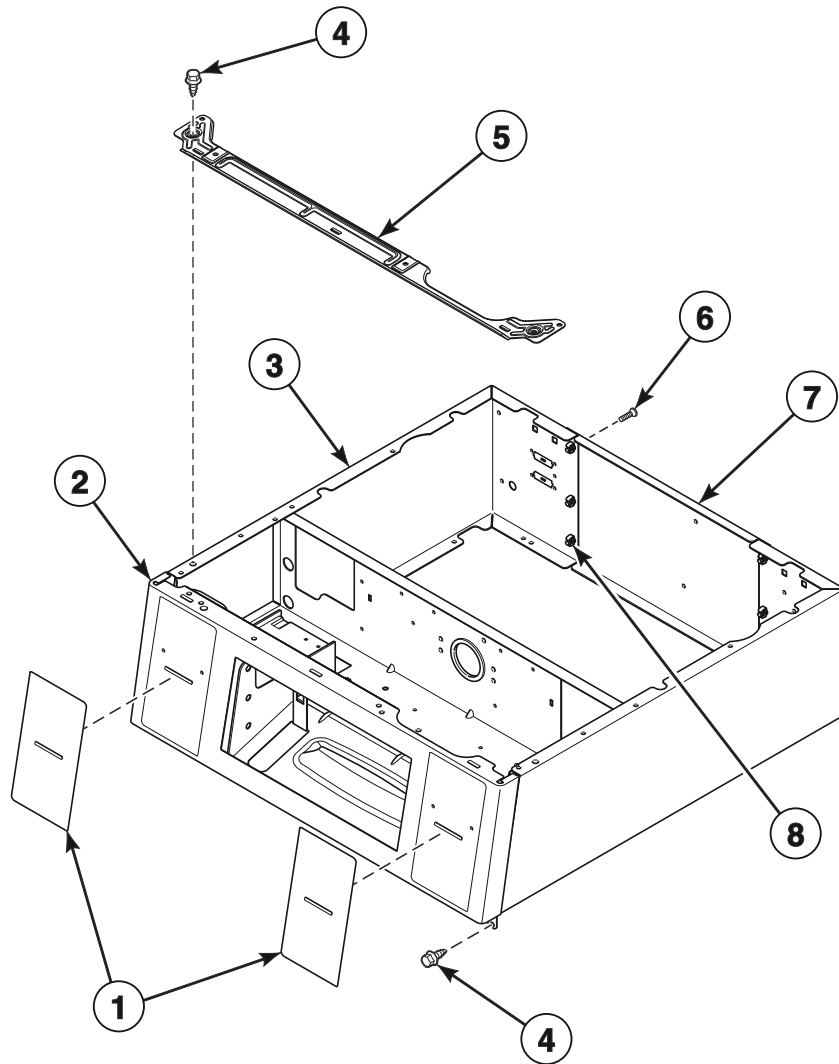
Models BSGBXAGW303AW01, HSEBDAGW291CW01, HSEBEAGW291CW01, HSEBXAGW131DW01, HSEBXAGW171FW28, HSEBXAGW541DW01, HSGBDAGW091CW01, HSGBEAGW091CW01, HSGBXAGW091CW01, NSEBXAGW301NW22, NSGBXAGW301NW22, SSEBXAGS301UQ01, SSEBXAGS301UW01, SSEBXAGW131DW01, SSEBXAGW541DW01, SSGBXAGS301EW01, SSGBXAGW301AW01 and TSEBXAGW301NW22



DRY2433P_515155

Integrated Card Reader Installed and Ready - All Integrated Card Reader Models

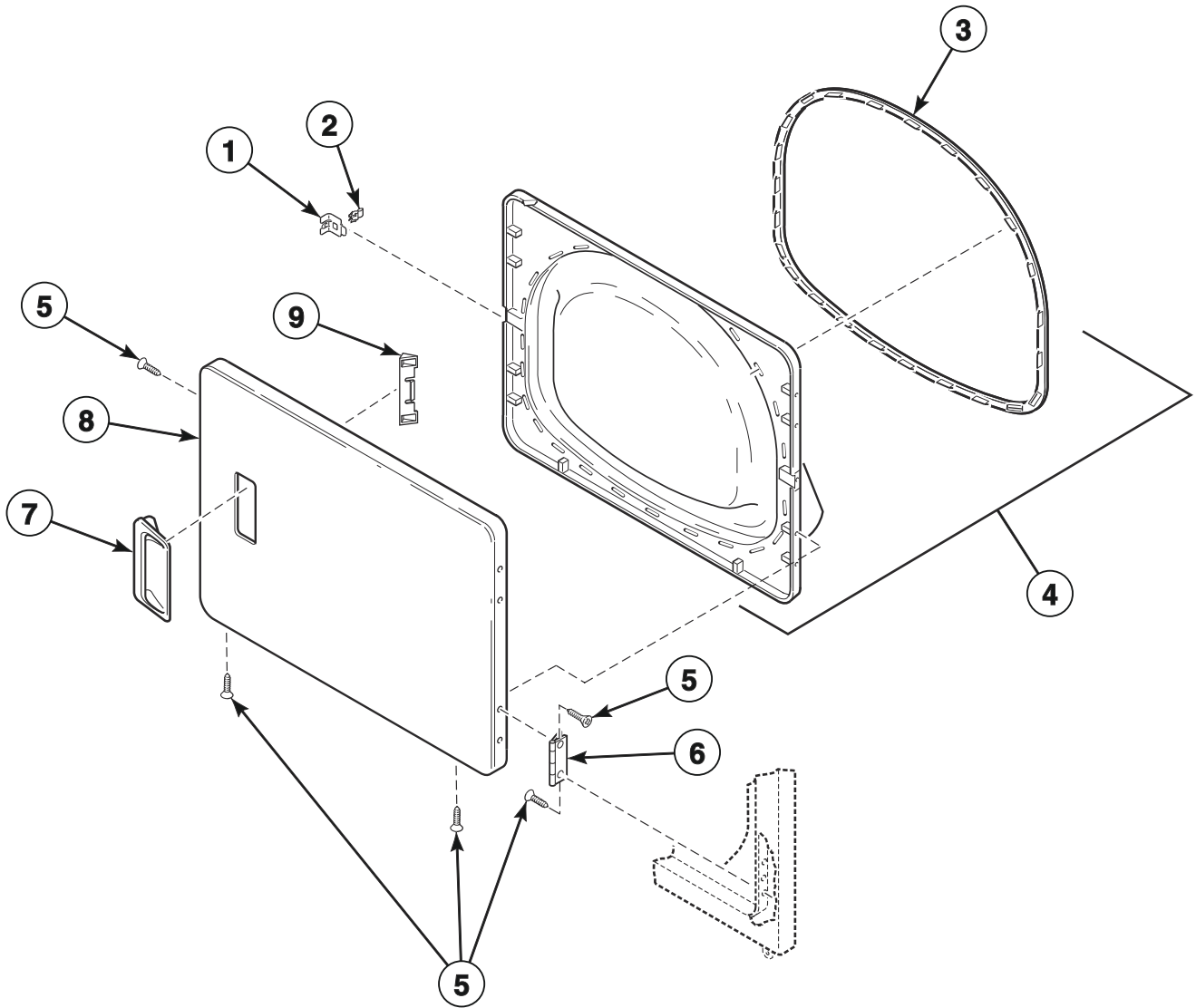
Models HSEBYAGW281CW01, HSEBYAGW291CW01 and HSGBYAGW091CW01



DRY2439P_515155

Loading Door without Window

Models SSEBXAGS301UQ01, SSEBXAGS301UW01, SSEMNAGS301NW01, SSEMNAGS301UW01, SSEMNAGS431AW01, SSESXAGS301UW01, SSGBXAGS301EW01 and SSGSXAGS301EW01

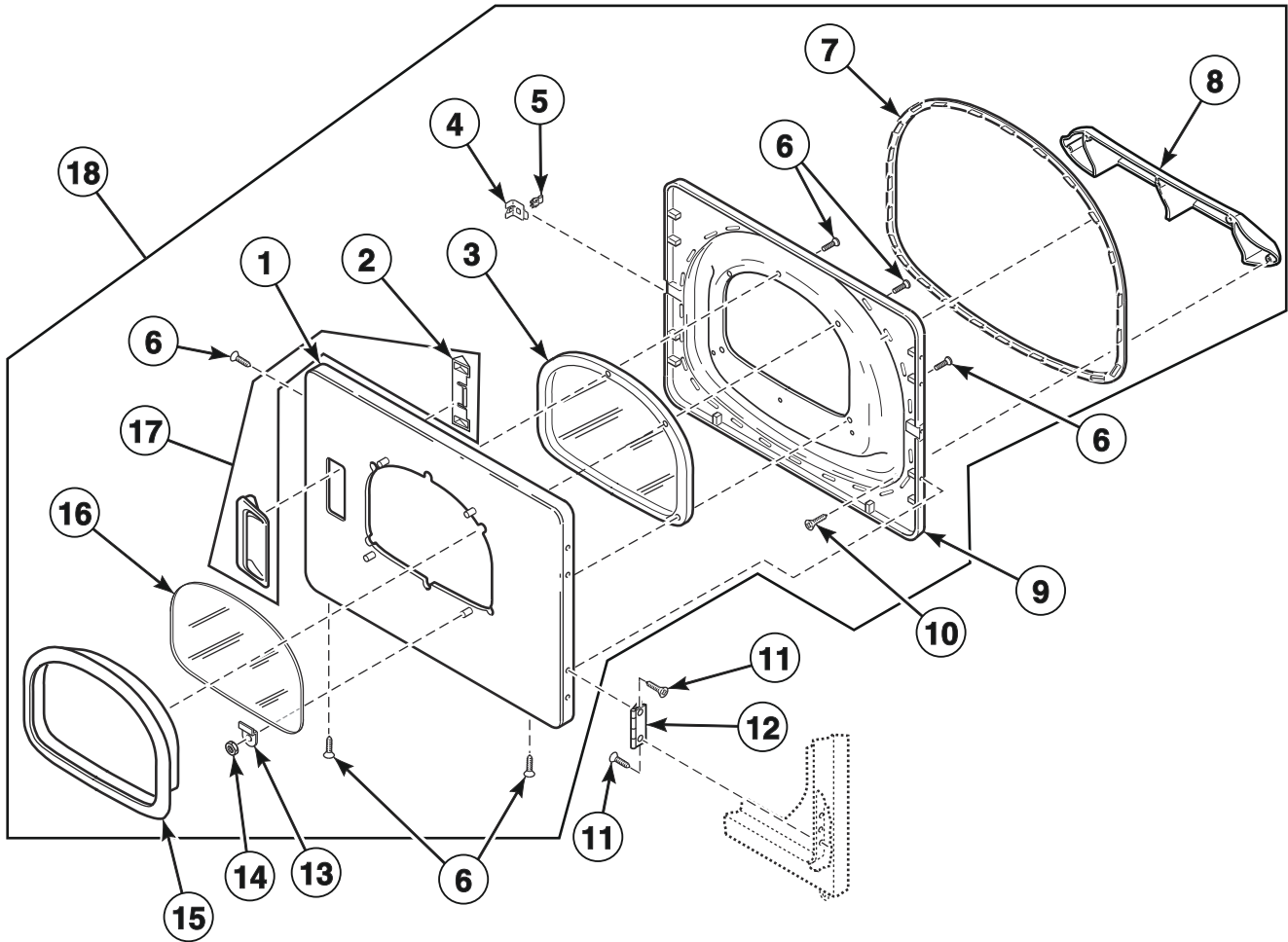


DRY1775P_515155

SSG3 P8

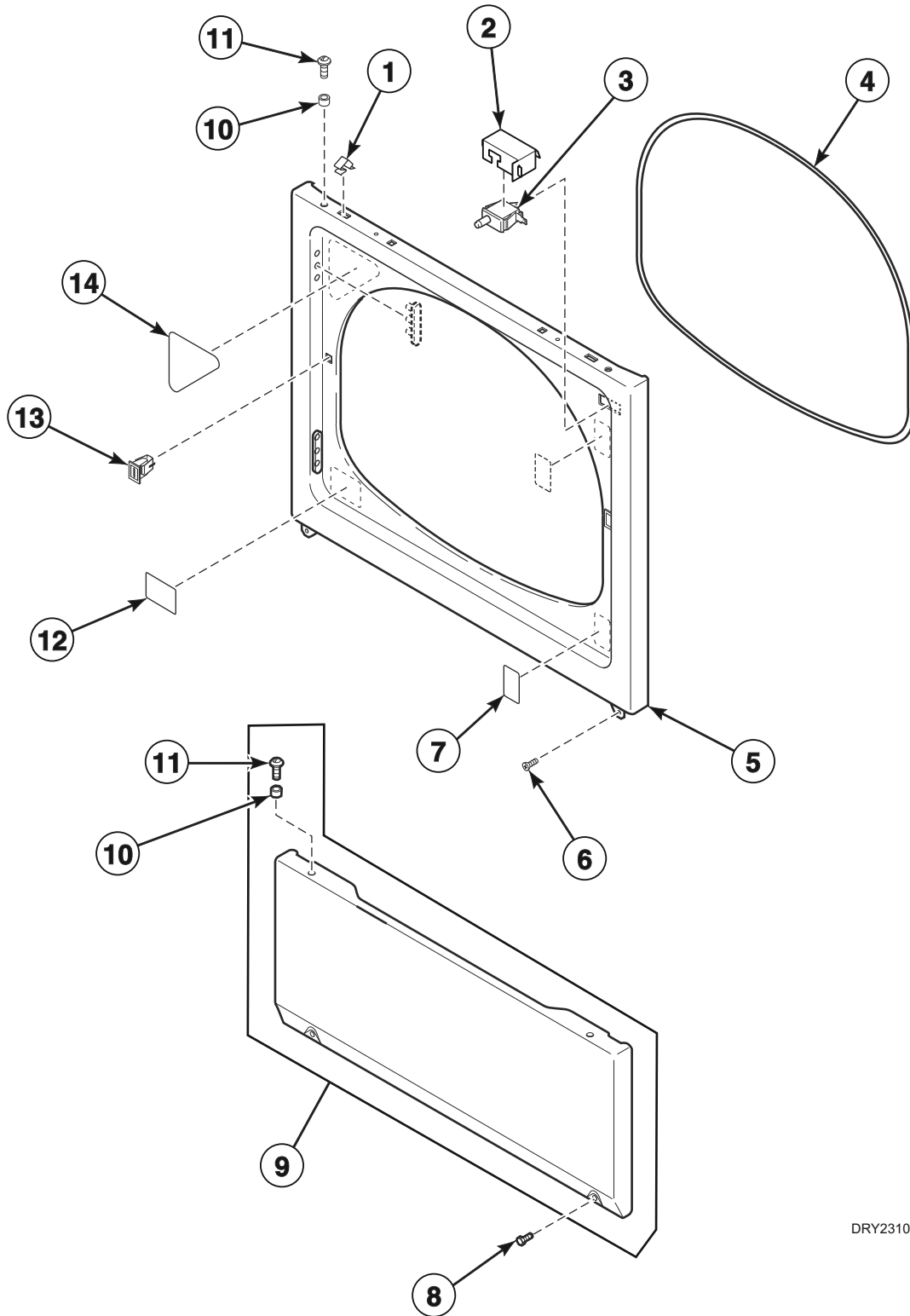
Loading Door with Window

All Models Except SSEBXAGS301UQ01, SSEBXAGS301UW01, SSEMNAGS301NW01, SSEMNAGS301UW01, SSEMNAGS431AW01, SSESXAGS301UW01, SSGBXAGS301EW01 and SSGSXAGS301EW01



DRY2296P_515155

Access Panel, Front Panel and Seal

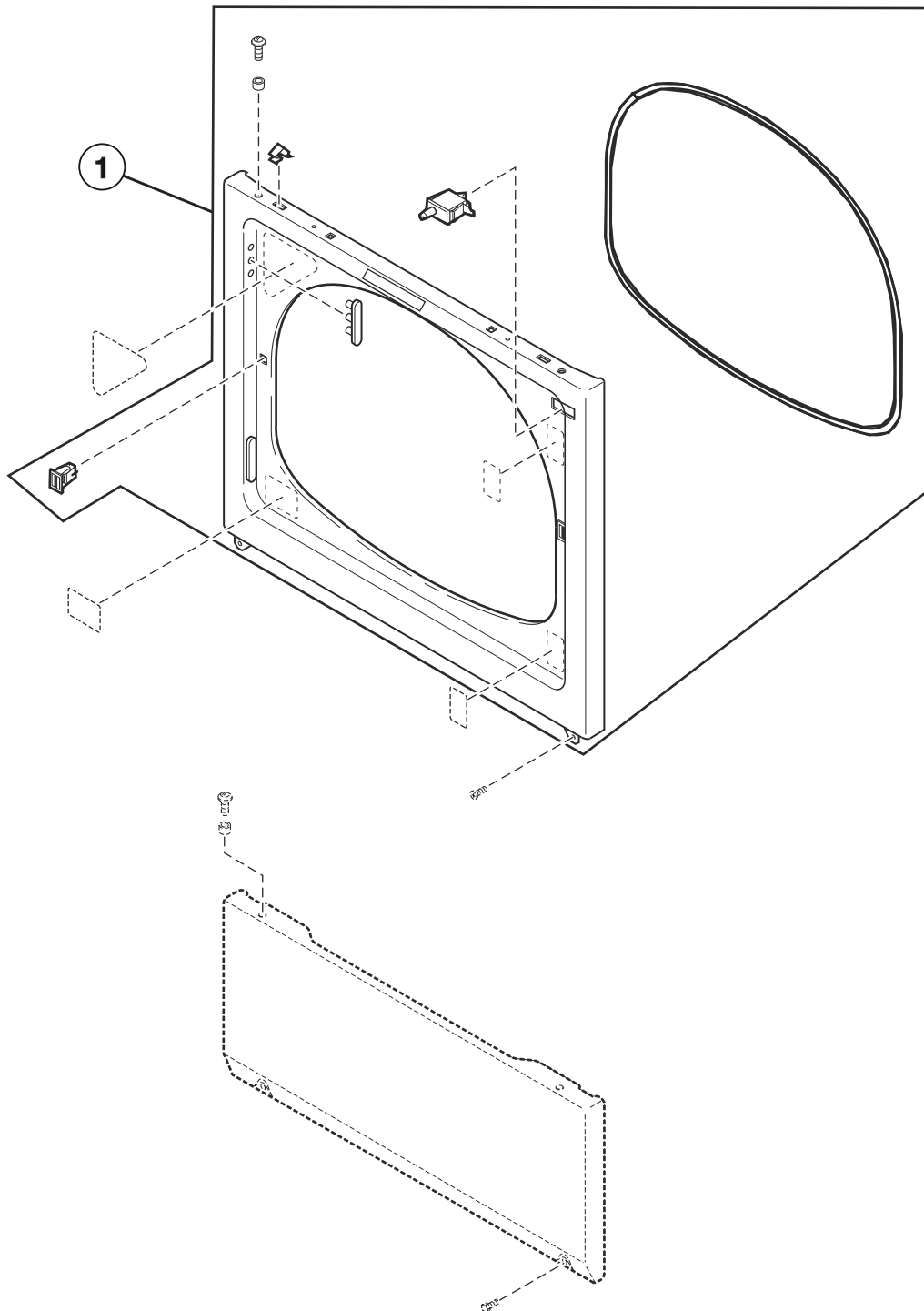


DRY2310P_515155

SSG3 P10

Front Panel Assembly

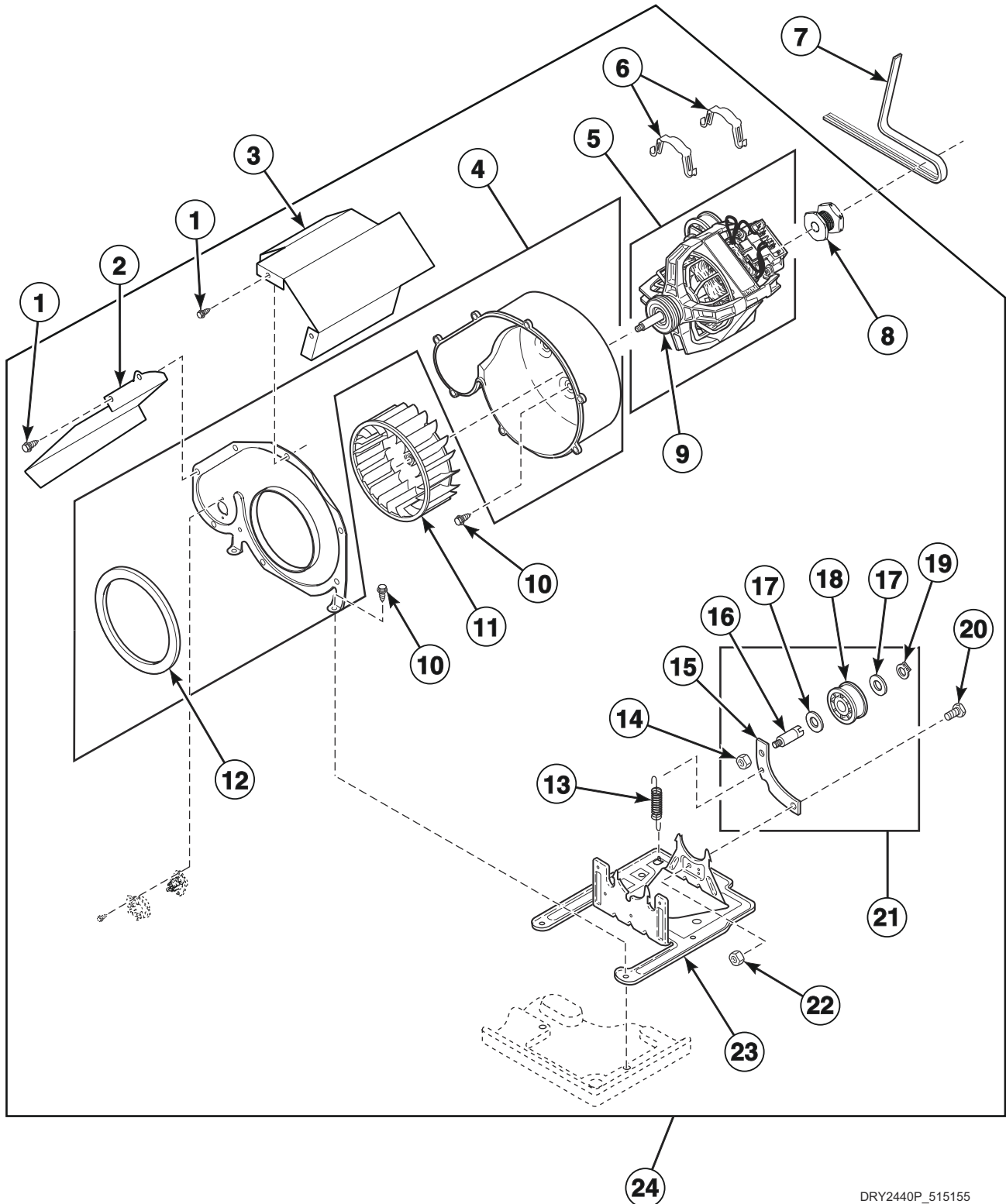
All Models Except HSEBDAGW291CW01, HSEBEAGW291CW01, HSEBYAGW281CW01, HSEBYAGW291CW01, SSEBXAGS301UQ01, SSEBXAGS301UW01, SSEMNAGS301NW01, SSEMNAGS301UW01, SSEMNAGS431AW01, SSESXAGS301UW01, SSESXAGW301NQ01, SSGBXAGS301EW01 and SSGSXAGS301EW01



DRY2179P_515155

SSG3 P11

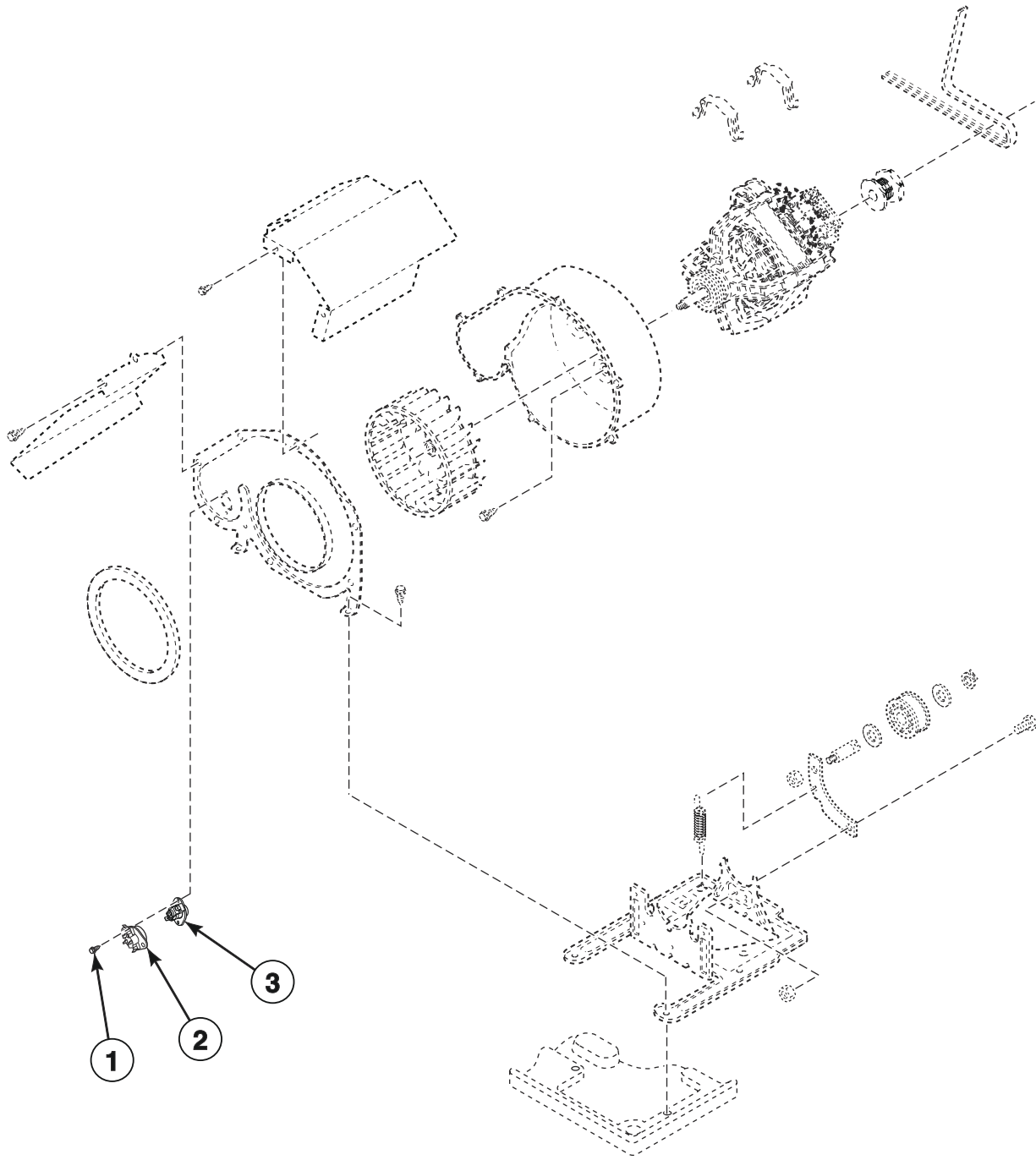
Motor, Exhaust Fan and Belt



DRY2440P_515155

SSG3 P12

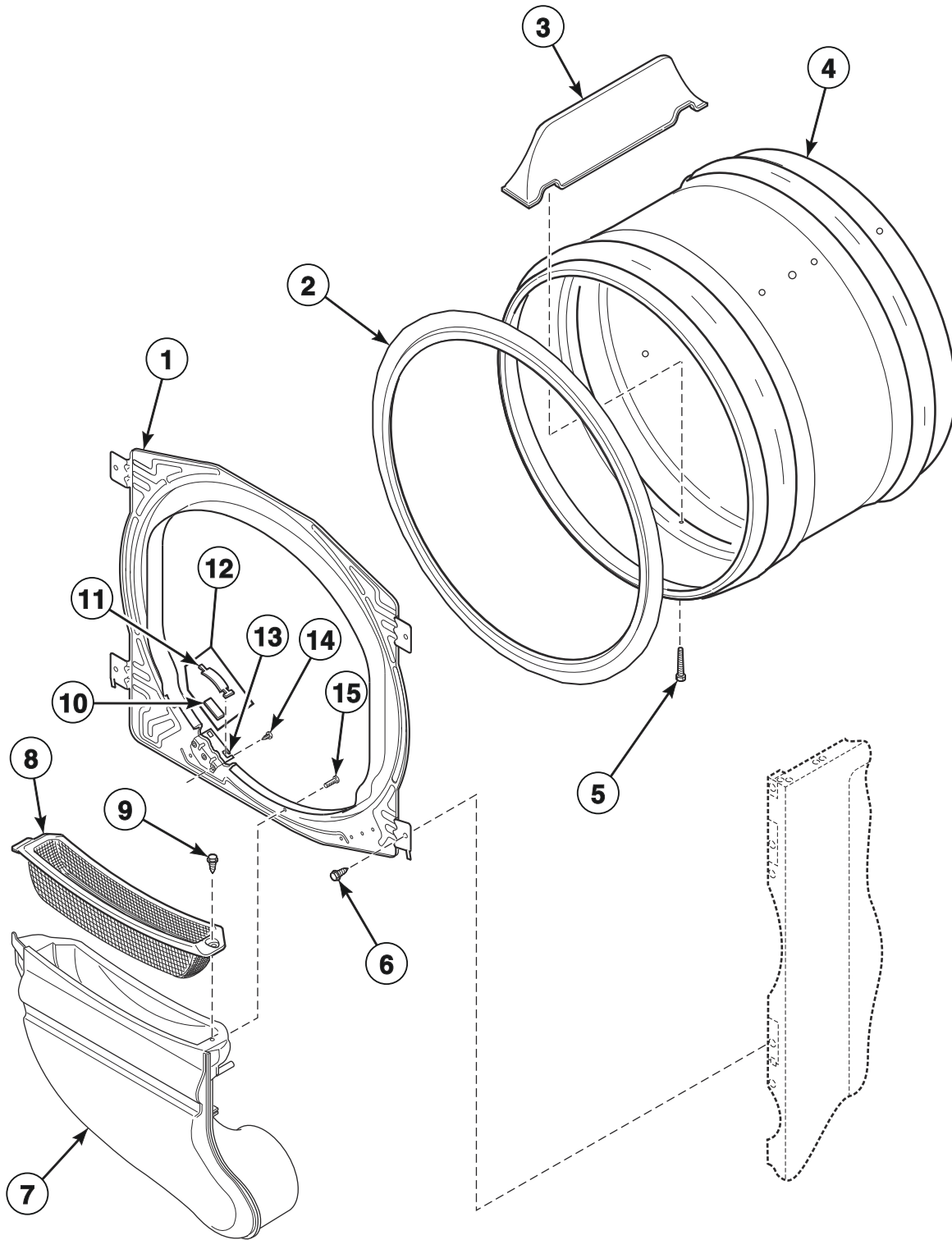
Thermostat and Thermistor



DRY2440PA_515155

SSG3 P13

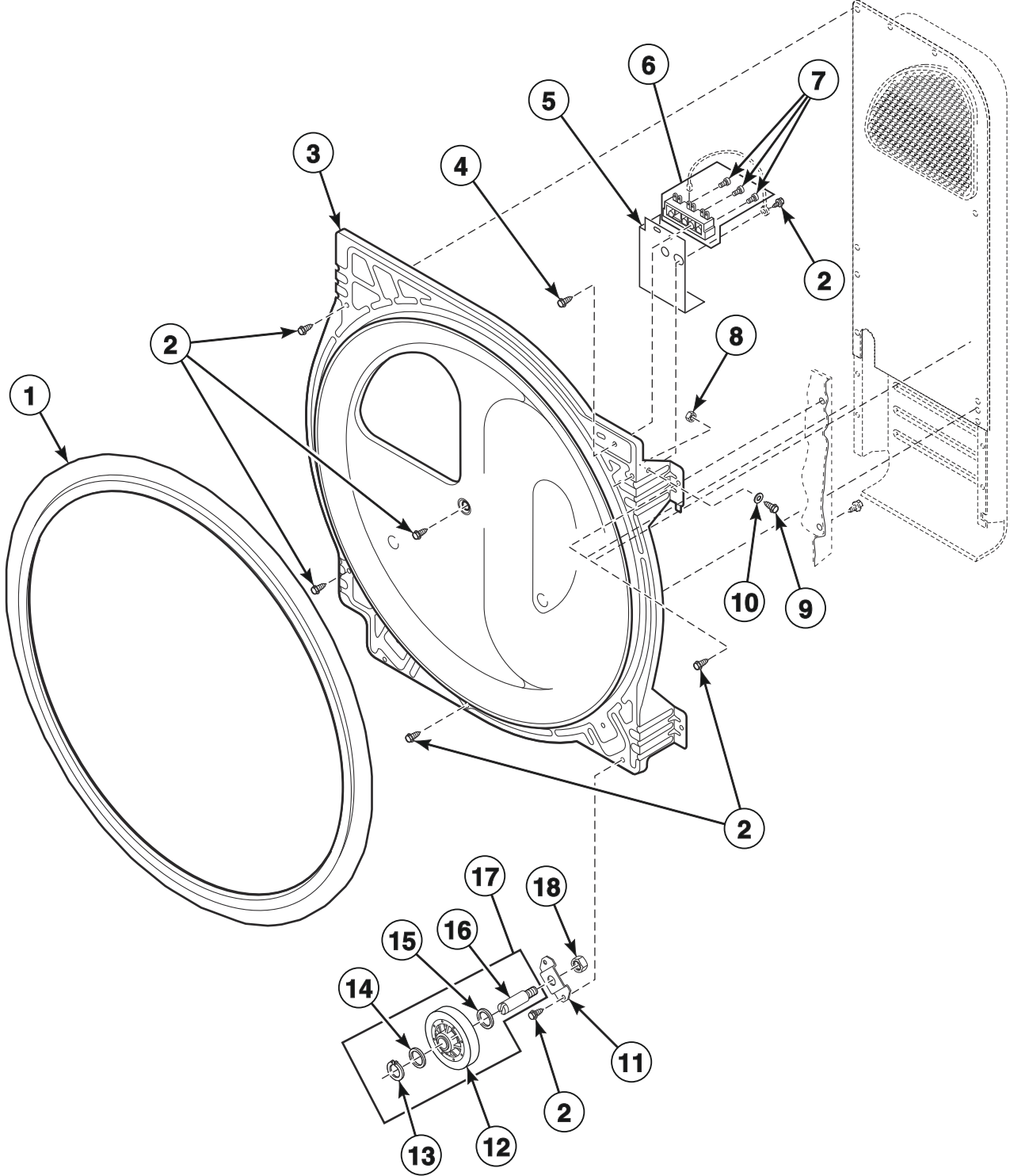
Front Bulkhead, Air Duct, Felt Seal and Cylinder



D402P_515155

SSG3 P14

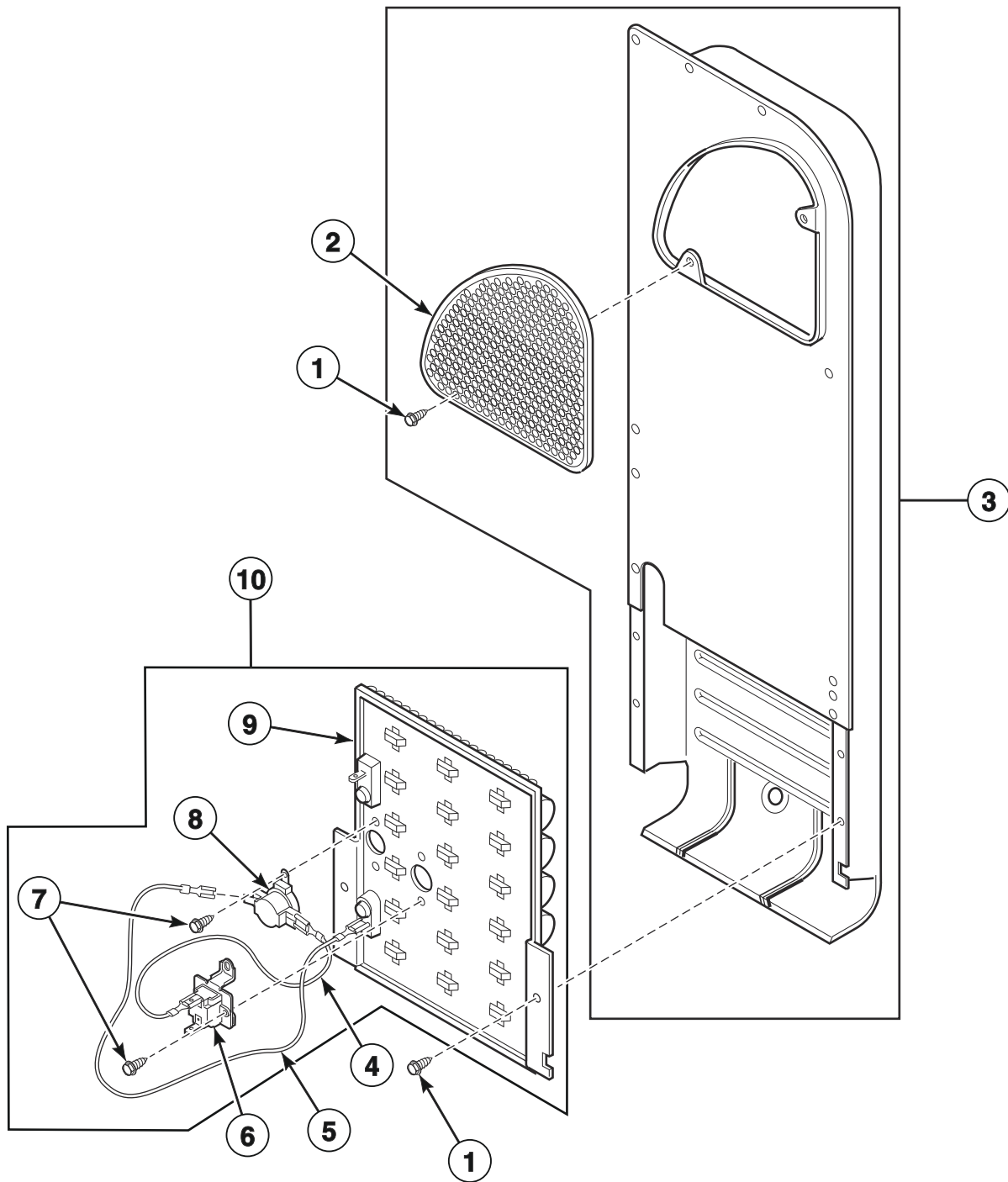
Rear Bulkhead, Felt Seal, Cylinder Roller and Terminal Block



DRY1774P_515155

SSG3 P15

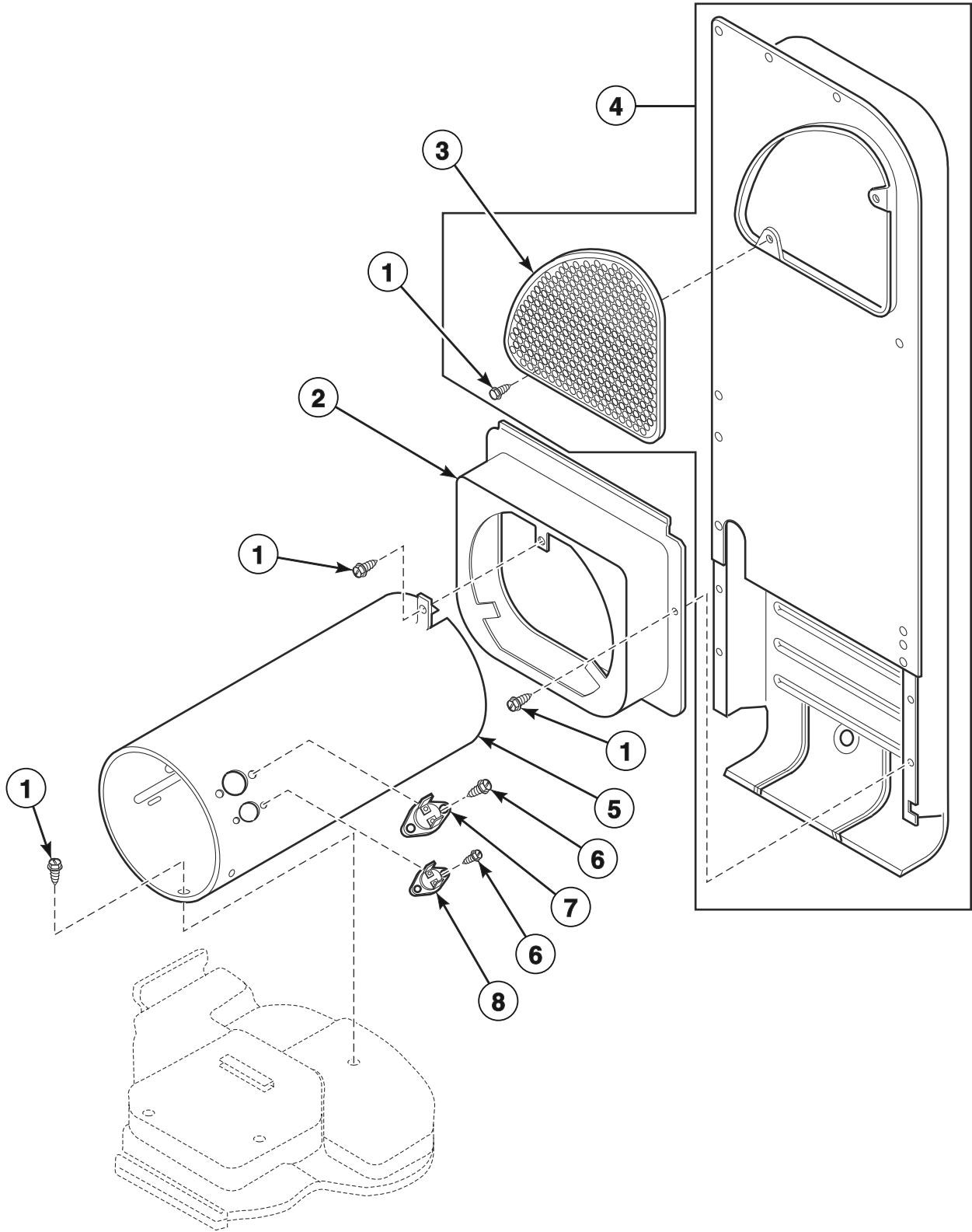
Heater Duct and Element Assembly - Electric Models



DRY1789P_515155

SSG3 P16

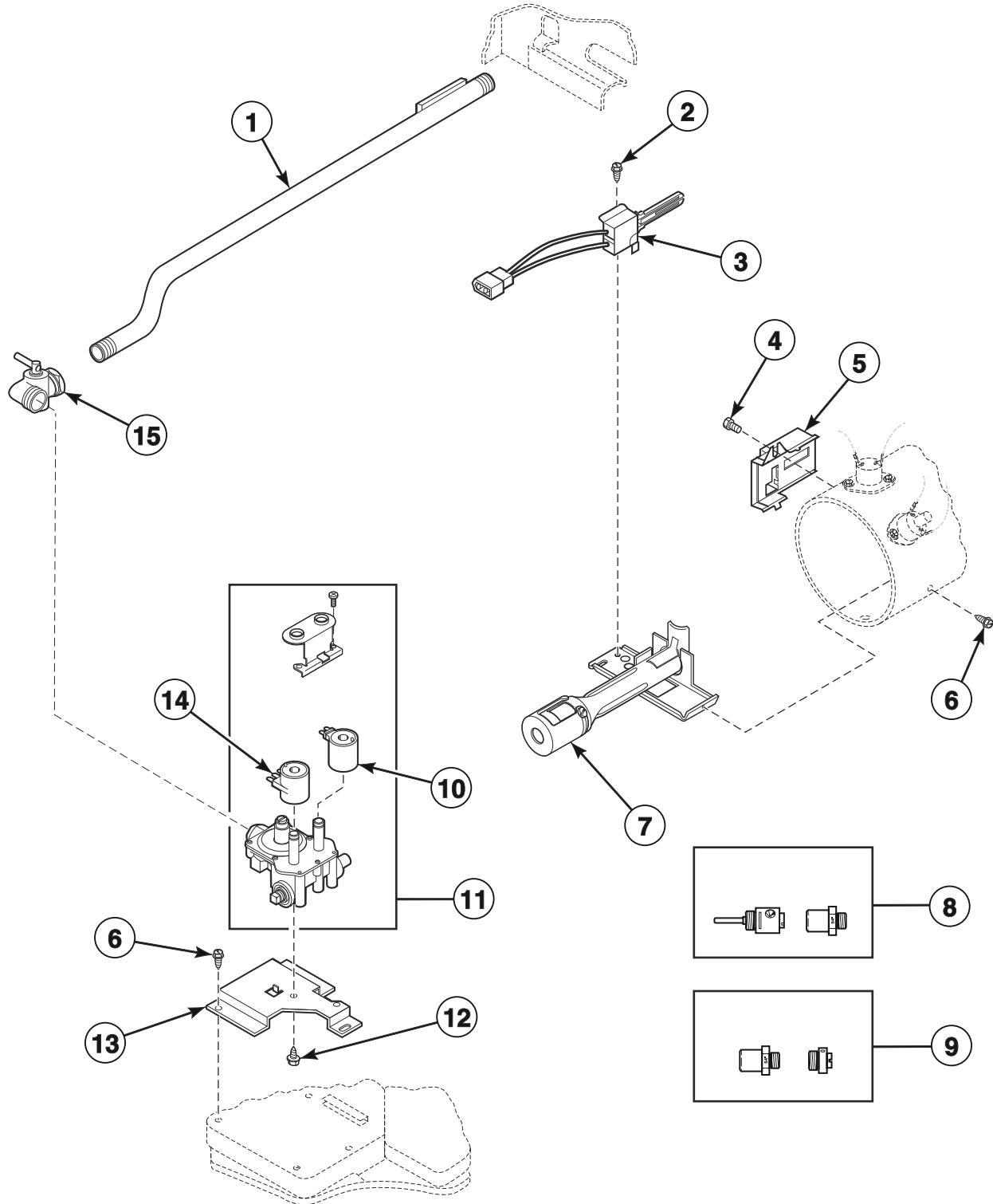
Heater Duct Assembly - Gas Models



D405P_515155

SSG3 P17

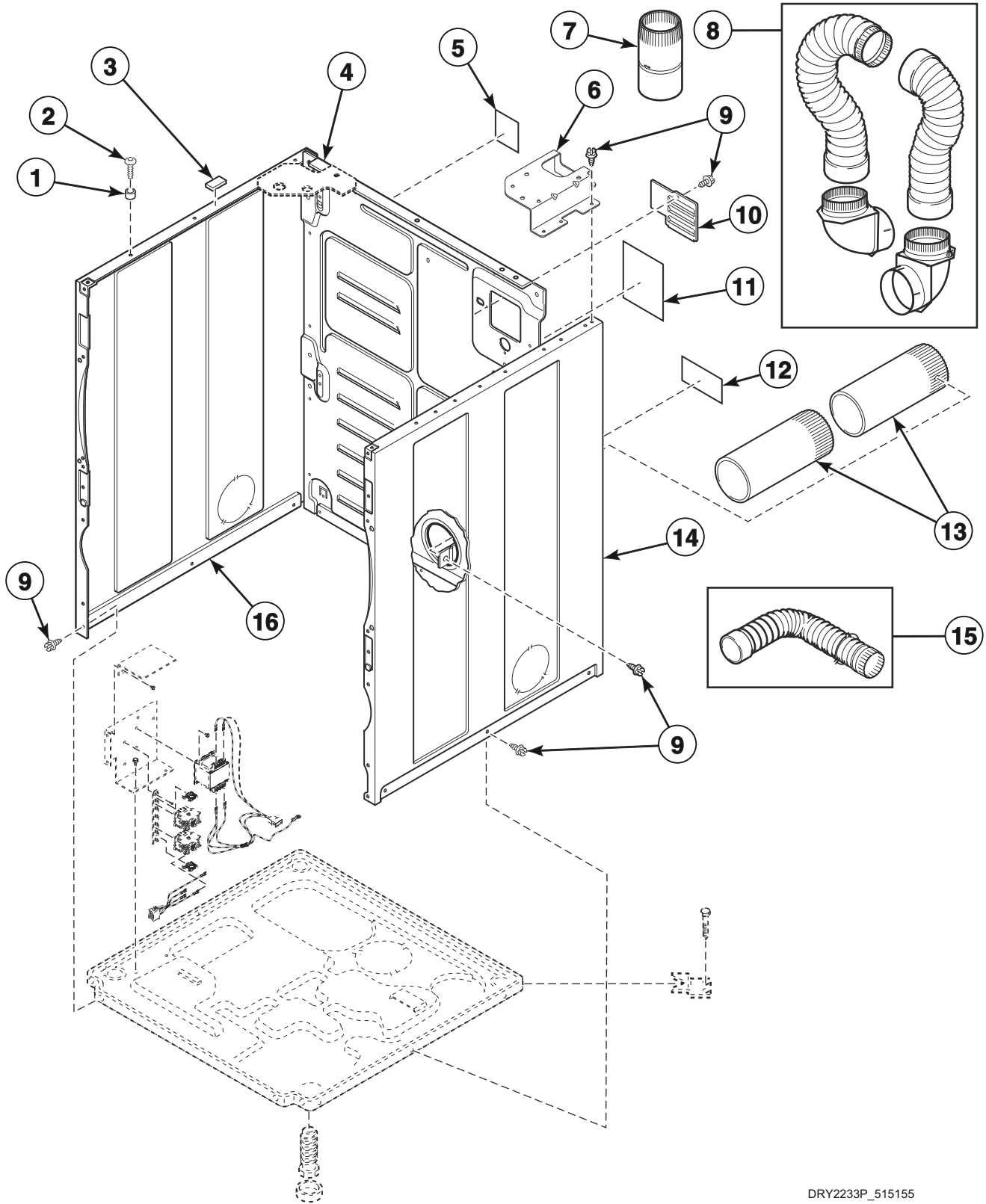
Gas Valve, Igniter and Gas Conversion Kits



DRY2079P_515155

SSG3 P18

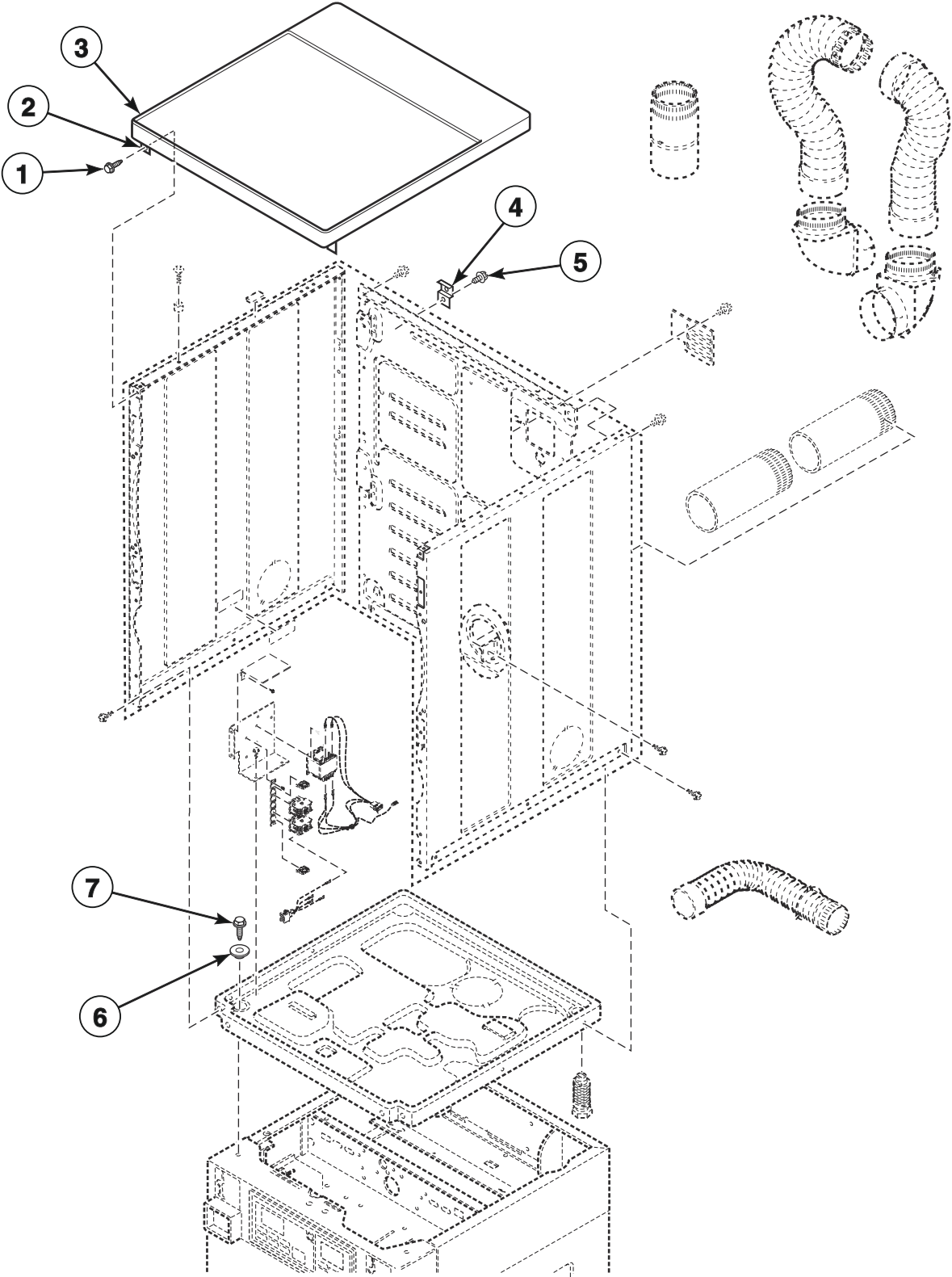
Cabinet and Exhaust Duct



DRY2233P_515155

SSG3 P19

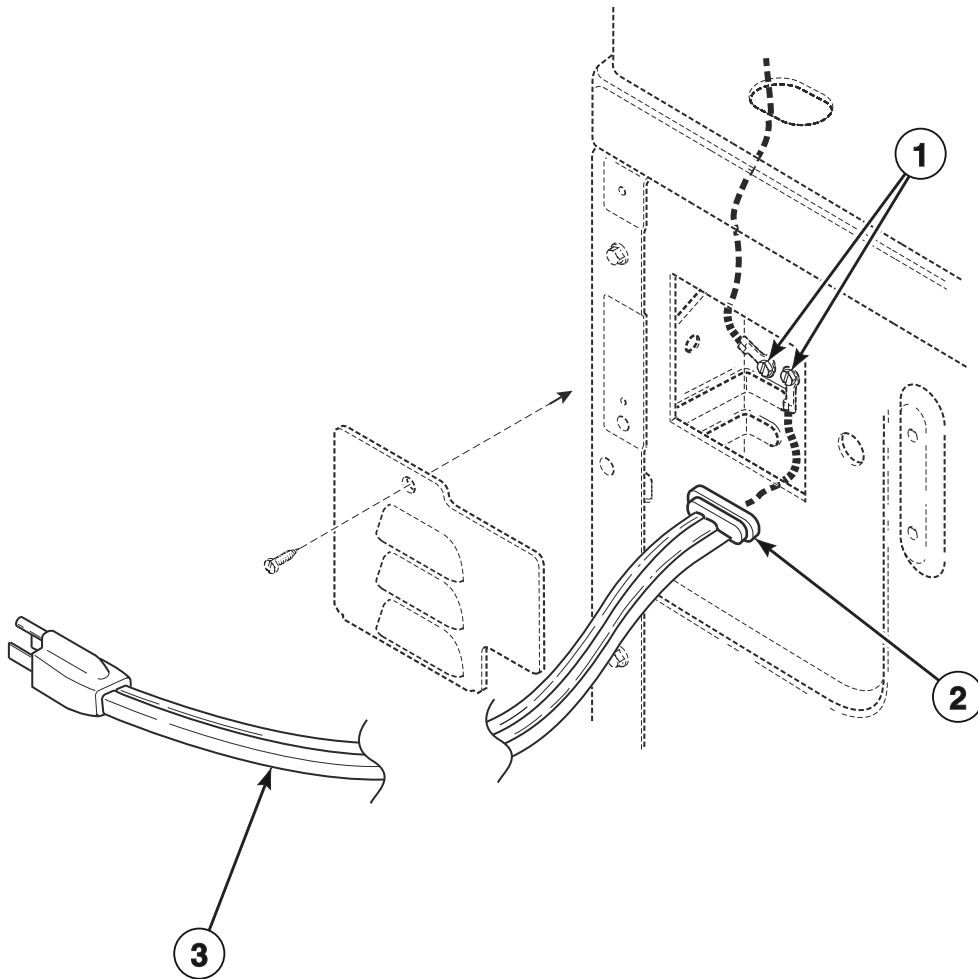
Cabinet Top



SWD1251P_515155

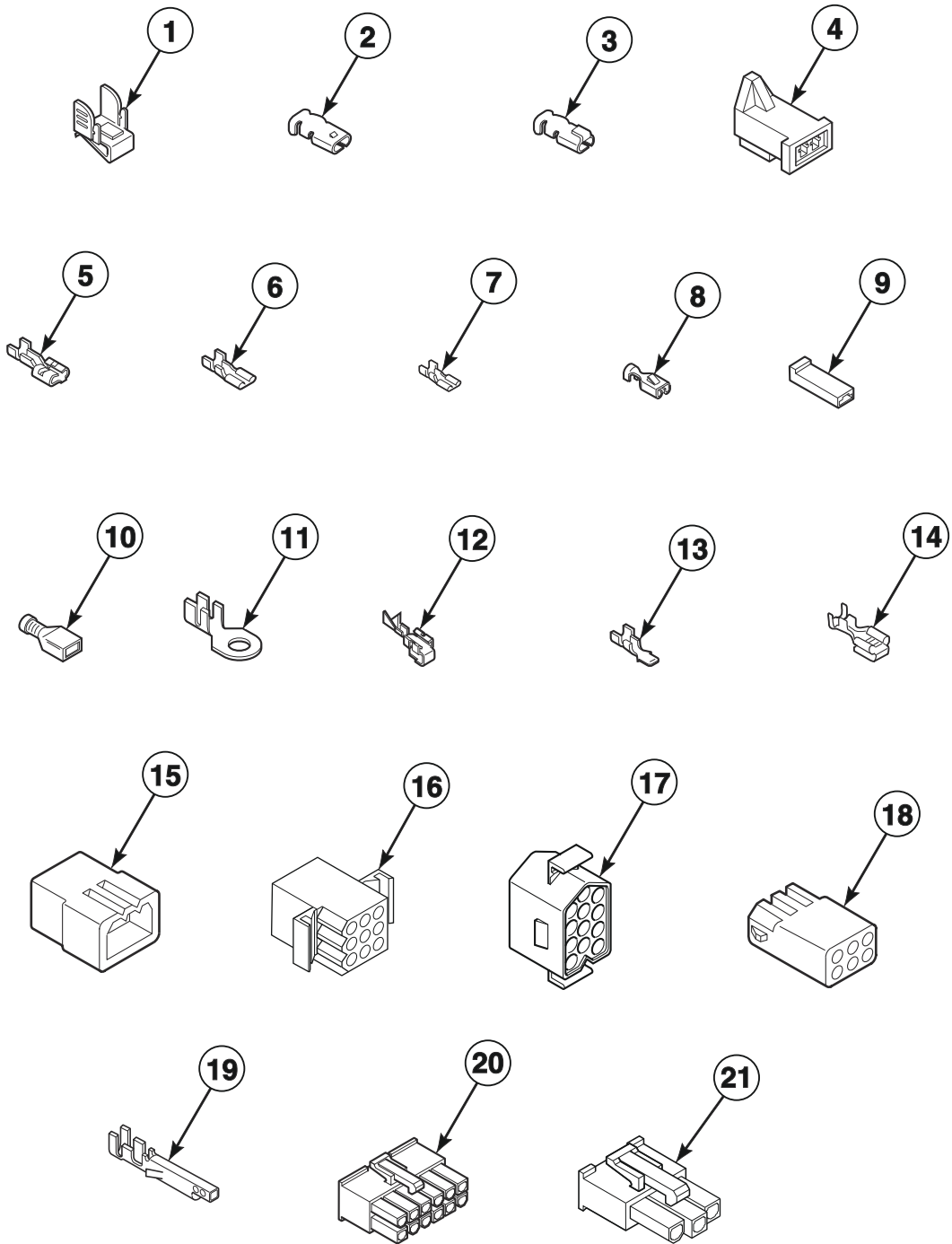
Power Cord

Models BSGBXAGW303AW01, HSGBDAGW091CW01, HSGBEAGW091CW01, HSGBXAGW091CW01, HSGBYAGW091CW01, HSGSXAGW091CW01, NSGBXAGW301NW22, NSGSXAGW301NW22, SSEBXAGS301UQ01, SSEBXAGS301UW01, SSEMNAGS301UW01, SSEMNAGS431AW01, SSESXAGS301UW01, SSESXAGW431AW01, SSGBXAGS301EW01, SSGBXAGW301AW01, SSGSXAGS301EW01, SSGSXAGW301AW01 and SSGSXAGW301BW01



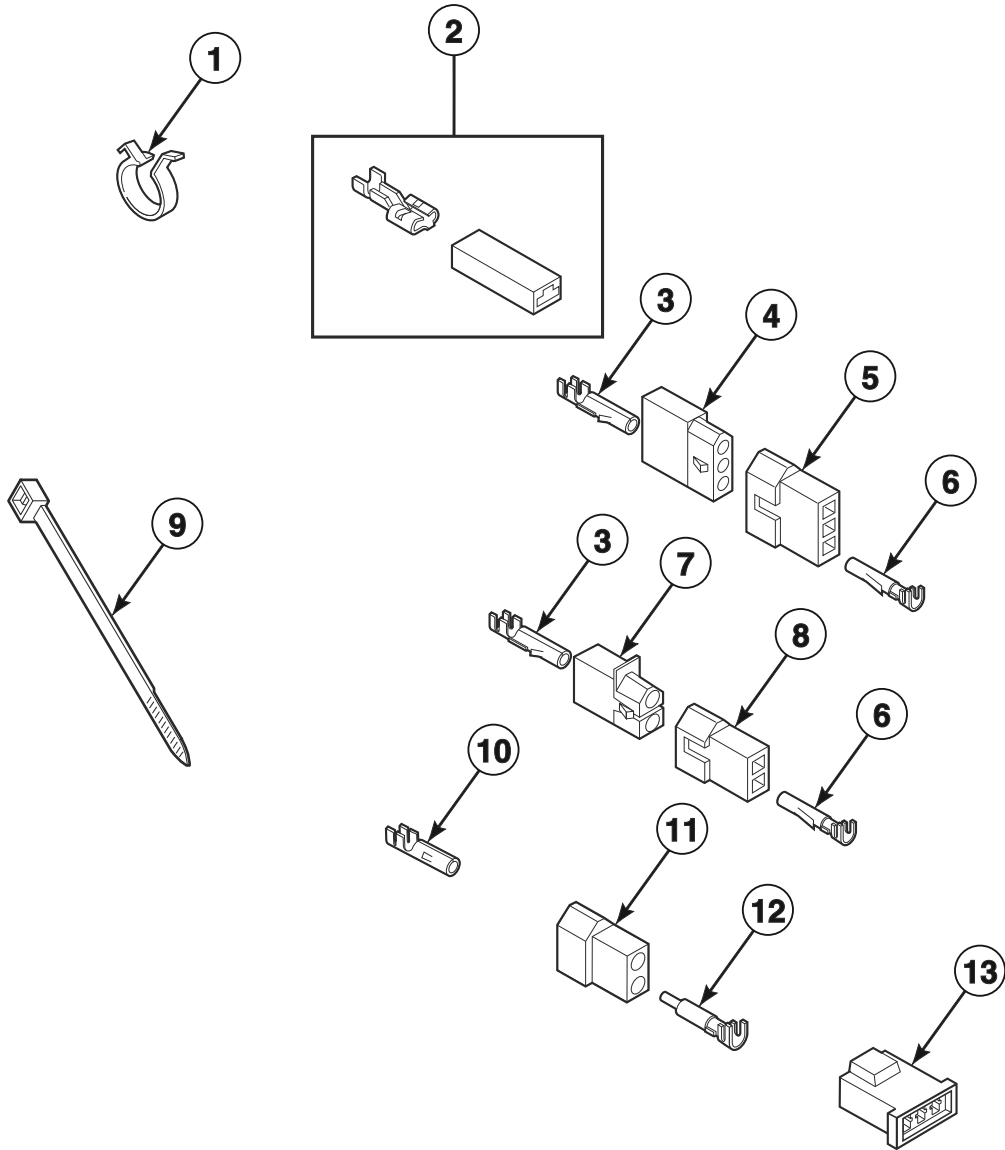
D408PE3A_515155

Terminal Block and Terminals



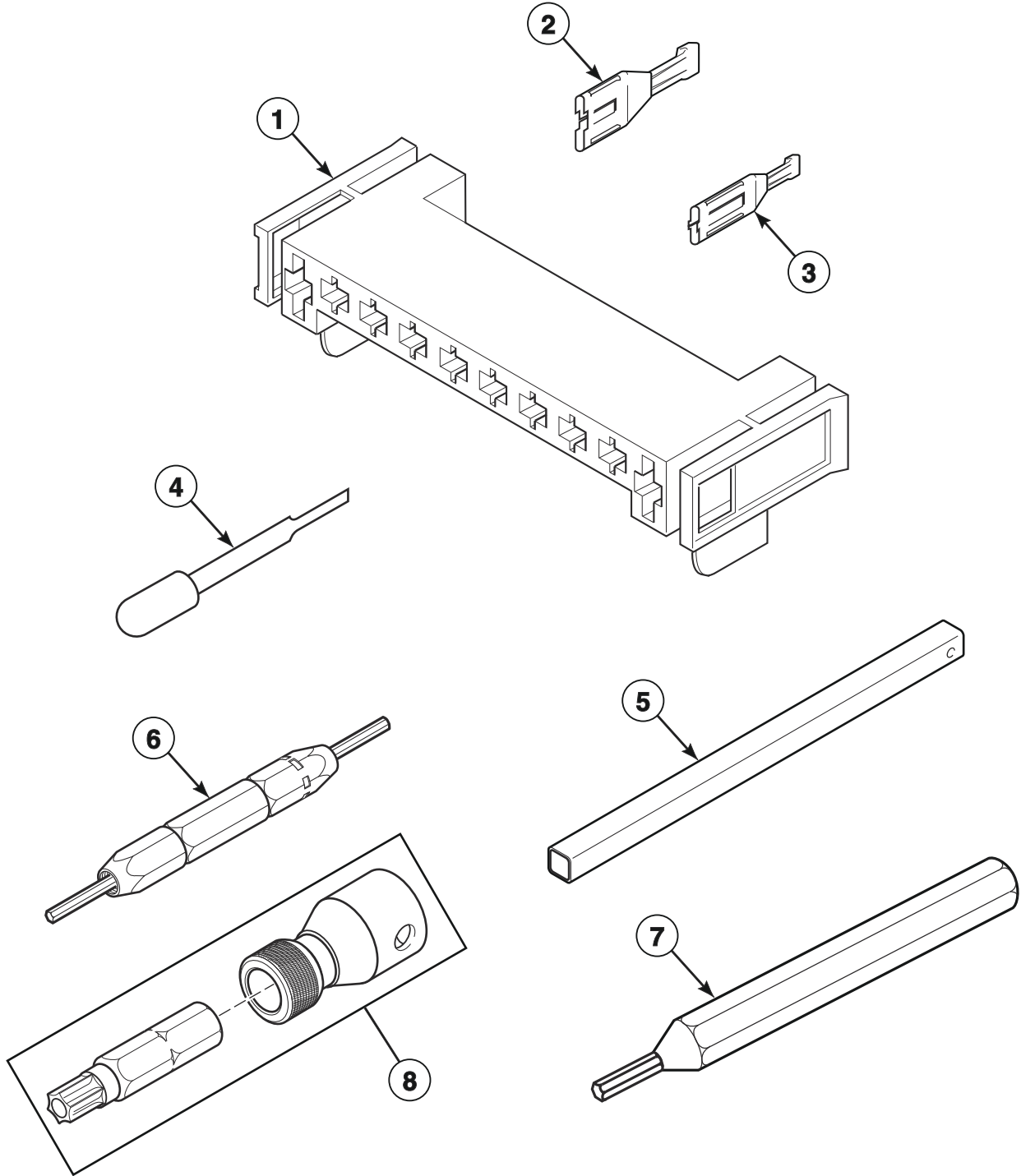
DRY2441P_515155

Terminals



DRY1769P_515155

Terminals and Terminal Extractor Tools

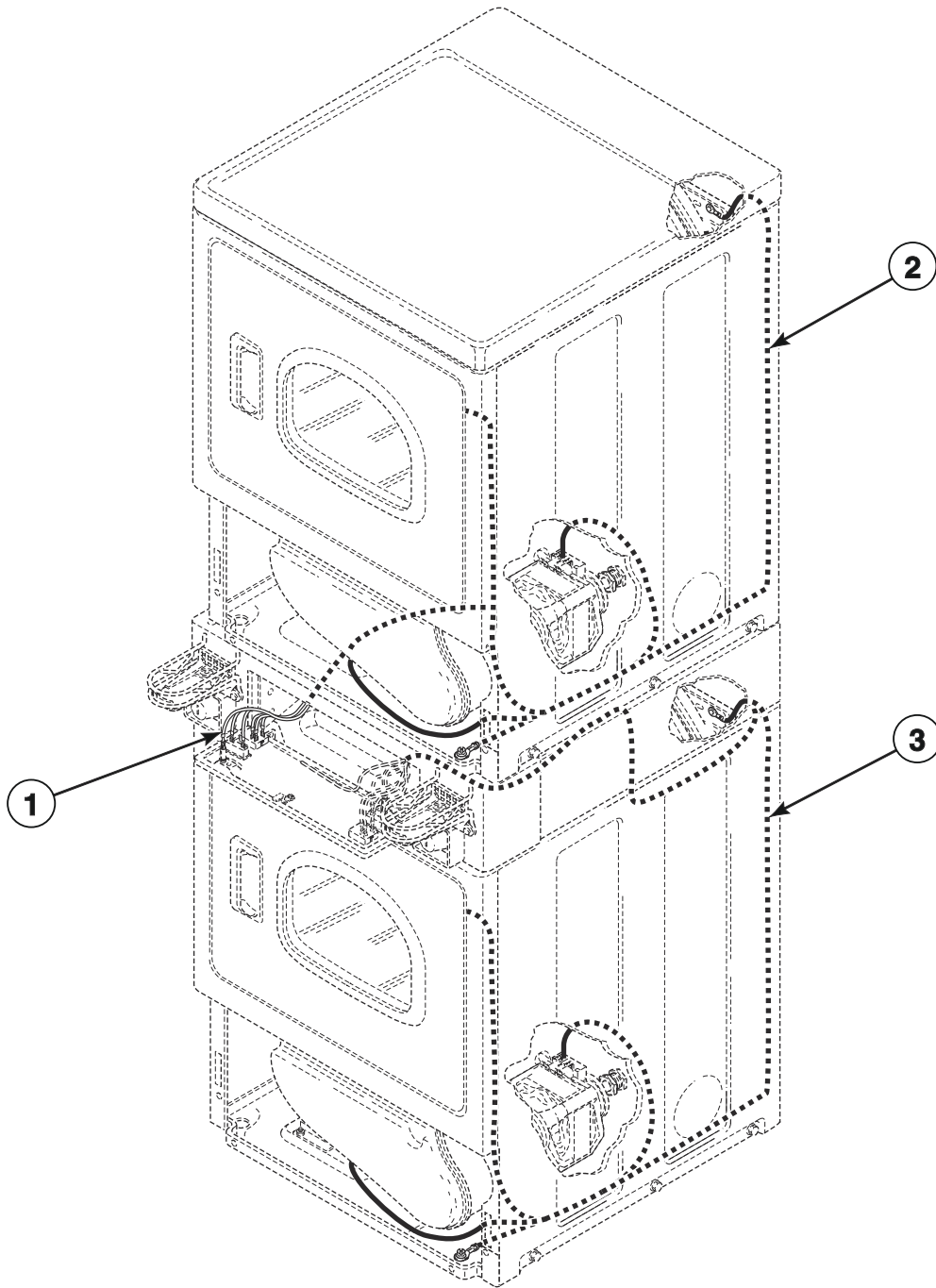


DRY2081P_515155

SSG3 P25

Wire Harnesses and Wires - Nonmetered and Coin Slide Models

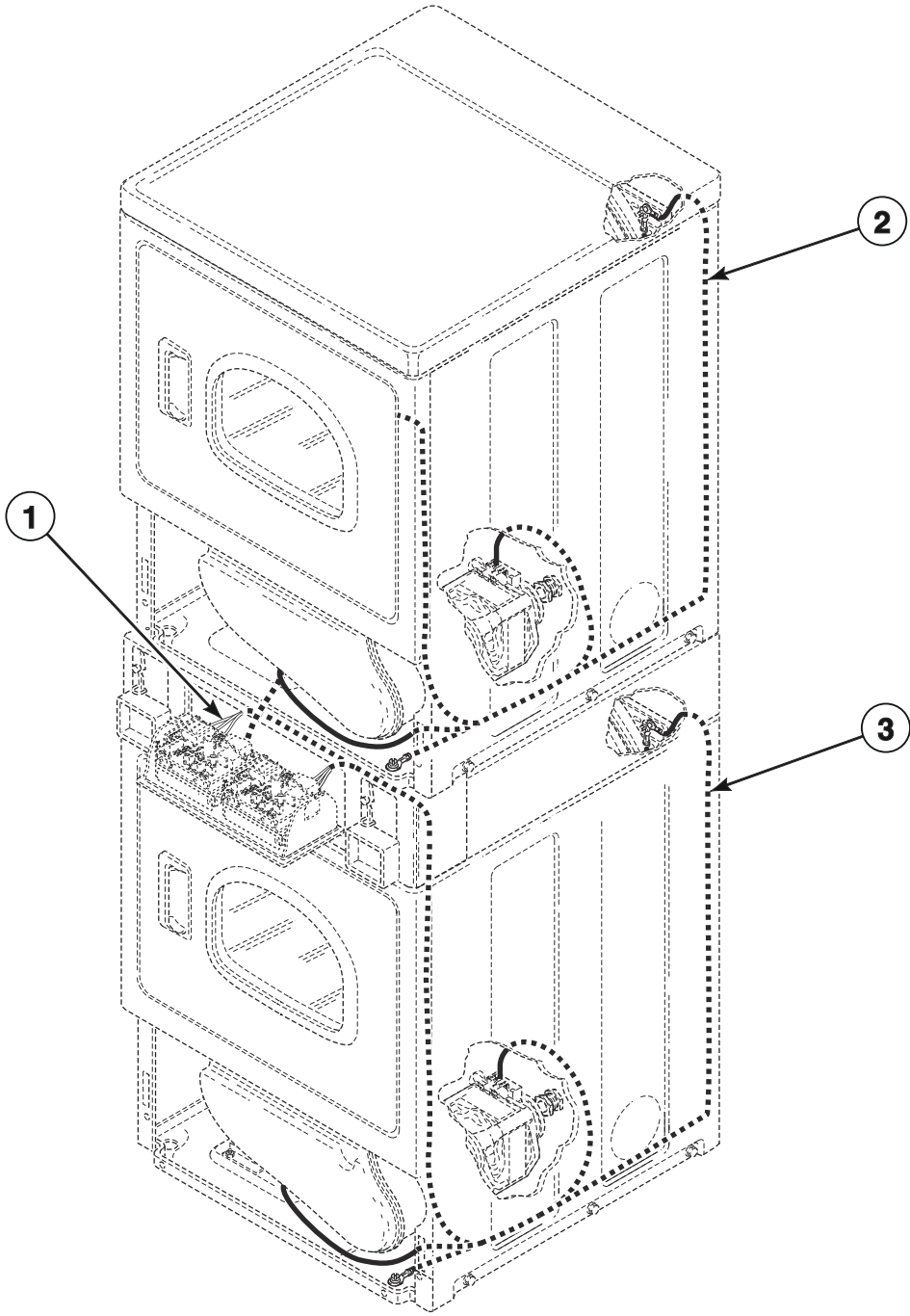
Models HSGSXAGW091CW01, NSGSXAGW301NW22, SSEMNAGS301NW01, SSEMNAGS301UW01, SSEMNAGS431AW01, SSESXAGS301UW01, SSESXAGW301NQ01, SSESXAGW301NW01, SSESXAGW431AW01, SSGSXAGS301EW01, SSGSXAGW301AW01 and SSGSXAGW301BW01



DRY2287P_515155

Wire Harnesses and Wires

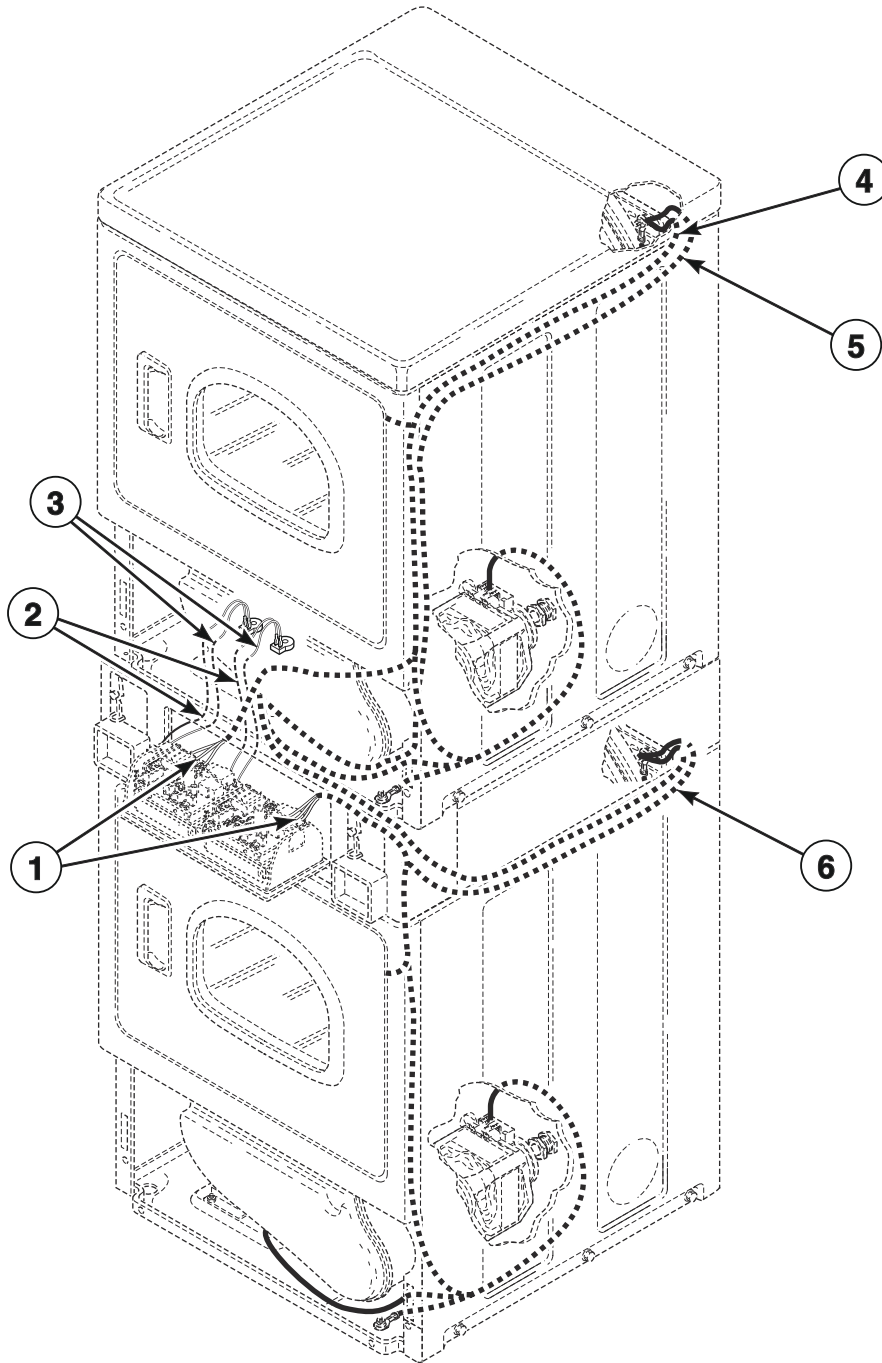
Model SSGBXAGS301EW01



DRY2314P_515155

Wire Harnesses and Wires - Coin Drop, Card Reader and OPL Models (Drawing 1 of 2)

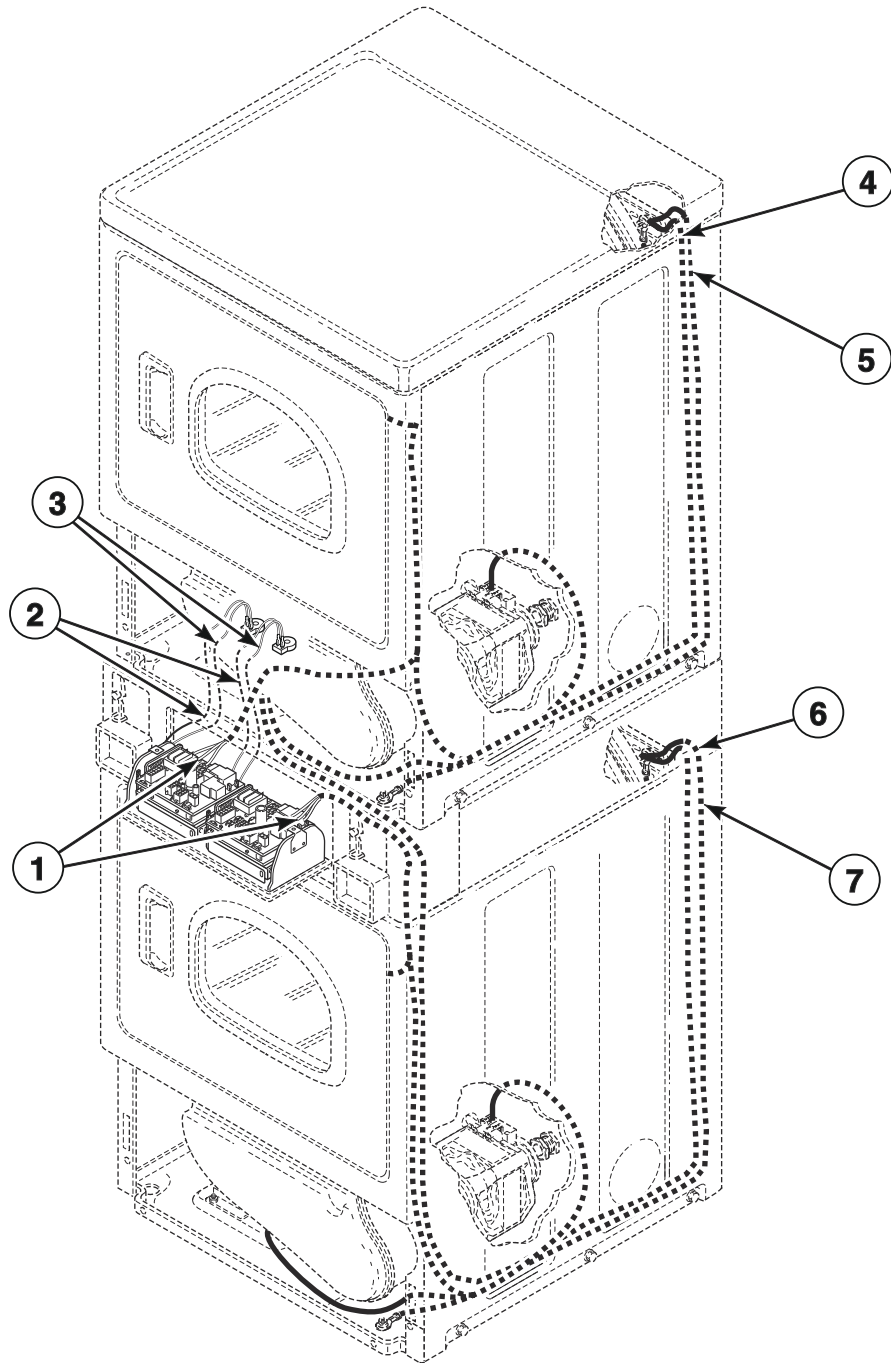
Models BSGBXAGW303AW01, HSGBDAGW091CW01, HSGBEAGW091CW01, HSGBXAGW091CW01, HSGBYAGW091CW01, NSGBXAGW301NW22, SSEBXAGS301UQ01, SSEBXAGS301UW01 and SSGBXAGW301AW01



DRY2176P_515155

Wire Harnesses and Wires - Coin Drop, Card Reader and OPL Models (Drawing 2 of 2)

Models HSEBDAGW291CW01, HSEBEAGW291CW01, HSEBXAGW131DW01, HSEBXAGW171FW28, HSEBXAGW541DW01, HSEBYAGW281CW01, HSEBYAGW291CW01, NSEBXAGW301NW22, NSEBXAGW301NW22, SSEBXAGW131DW01, SSEBXAGW541DW01 and TSEBXAGW301NW22



DRY2302P_515155